

THE BEST TEAM FROM TAIWAN !!

目錄 Contents

● 柏卡軸封 POCAR SEAL LTD

專利證書 / Worldwide Patent Certificates

產品 / Products

A. 機械軸封 / Mechanical Seals :

MAC 1000系列 / MAC 1000 Series

MAC 3000系列 / MAC 3000 Series

MAC 5000系列 / MAC 5000 Series

MAC 7000系列 / MAC 7000 Series

MAC 9000系列 / MAC 9000 Series

MAC 2000系列 / MAC 2000 Series

MAC 4000系列 / MAC 4000 Series

MAC 6000系列 / MAC 6000 Series

MAC 8000系列 / MAC 8000 Series

B. 標準配件 / Standard Accessory

MAC 1000 固定環 / MAC 1000 Stationary

軸封罐 / Mechanical Seal Pot

O型環 / O-Rings (TRP/CHEMRAZ/KALREZ/VITON/OTHERS)

C. 特殊金屬零件 / Components of Special Metals

D. 其他元件 / Other Components

表單 / Forms

A. 轉動設備修護表 / Rotary Equipment Maintenance Form

B. 客戶諮詢單 / Inquiry Form

參考資料 / Reference

A. 機械軸封安裝步驟 / Instruction of Mechanical Seals' Installation

柏卡軸封

來自台灣的最佳團隊

關於柏卡軸封

柏卡軸封創立於1996年，廠址位於台灣高雄大發工業區。柏卡軸封主要產品為自創品牌(OBM)機械軸封、碳化矽、碳化鎢、特殊金屬鋳、鈮、鎳、鈦..等，同時為英國著名O型環製造商TRPlast於台灣暨中國地區唯一指定經銷商。

柏卡軸封秉持著一貫的專業和熱誠，不斷研發並改善軸封產品。目前擁有數十項專利，亦通過ISO-9001:2000認證。從傳統的泵浦，到現今的高溫、高壓、高雜質、高腐蝕、高真空的複雜轉動設備，不論是石化產業、鋼鐵產業、煉油產業、亦或是污水系統，柏卡軸封都能全力針對客戶需求，為客戶量身打造最合適、最耐用的機械軸封。

柏卡軸封全面積極開發國際市場。由於公司地理位置優越，緊鄰高雄港口及高雄國際機場，不僅能全面控管運輸成本，更能有效率進口、出口產品，是絕佳的OEM/ODM廠商選擇。

誠摯邀請您參觀我們的網站：www.pocar-seal.com

營業項目

國內外軸封專利

美國：5769605

大陸：97230885.7 / 97230886.5 / 97231890.9

台灣：103632 / 103707 / 126449 / 133714 / 133715 / 133716

各類軸封零件

碳化矽、碳化鎢、碳精環、全氟O型環

真空熔煉爐，可配合開發特殊金屬泵葉泵殼、特殊耐蝕金屬容器、管件、閥。

通過ISO 9001 :2000認證



POCAR SEAL

The Best Team from Taiwan!

About Pocar Seal

Pocar Seal was founded in 1996 in Kaohsiung Taiwan. Our main products are own-brand mechanical seals, silicon carbide (SiC), wolfram carbide (WC) and special metals, such as zirconium (Zr), niobium (Nb), nickel (Ni), and titanium (Ti). We also represent the well-known English O-Ring manufacturer-TRPlast-as the exclusive sales representative in Taiwan and China.

Pocar Seal keeps consistent progress and enthusiasm in researching, developing, and improving its products. To date, Pocar Seal not only meets the International Standards ISO 9001:2000 but also has patented several new types of mechanical seals. From traditional water pumps to modern sophisticated equipments, Pocar Seal is confident in designing most suitable and durable mechanical seals to meet customers' needs in any kinds of processes, such as high temperature, high pressure, vacuum, strong acid or strong base.

Since the end of 2006, Pocar Seal is fully devoted to international market exploitation. With the advantageous location—10 minutes to Kaohsiung Port and Kaohsiung International Airport—Pocar Seal can wholly control the carriage and guarantee the efficiency of import and export processes. Pocar Seal is confident of being the most ideal OEM/ODM supplier for our customers.

It is our honor to invite you to visit our website at: www.pocar-seal.com

Products and Service

Worldwide Patents of Mechanical Seals:

USA : 5769605

PRC : 97230885.7 / 97230886.5 / 97231890.9

Taiwan : 103632 / 103707 / 126449 / 133714 / 133715 / 133716

Components of Mechanical Seals:

SIC, WC, Carbon, Perfluoroelastomers O-Rings

Vacuum Melting Furnace for the manufacture of new types of impellers, pump casings, pipes, valves, containers of special metals

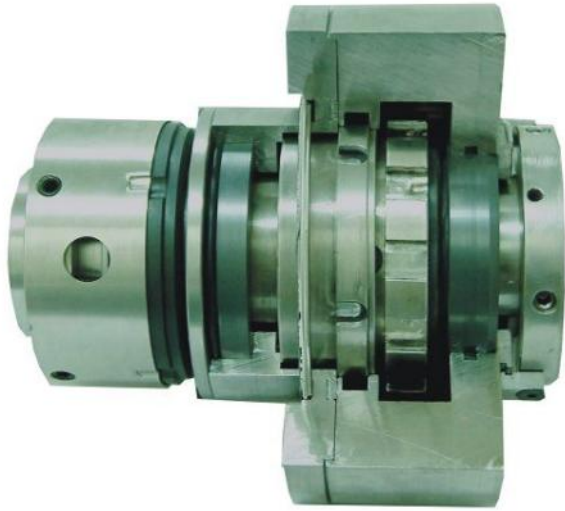
Certificate of Registration : ISO 9001:2000



MAC 2000 Series

應用設備 APPLICATION EQUIPMENT

- API、ANSI標準系列泵浦，轉動設備液體雙重密封。
Suitable for API and ANSI standard pumps;
double seal the liquid in rotary equipment
- 適用於塔底、焯取、精煉、裂解、熱媒等高溫製程設備。
Suitable for high temperature process, such as
extract, refine or pyrolysis



詳細說明 / DESCRIPTION

應用條件 APPLICATION CONDITION

溫度 (TEMP RANGE): - 30°C ~ 330°C

壓力 (PRESSURE): 50Kg/cm²

週速 (SPEED): 25m/sec

標準材質 STANDARD MATERIAL

金屬 (METAL): SUS316 / Ti2 / C-276 / B2 / Zr702

固定環 (SEAT RING): S-SIC / R-SIC / T.C / CARBON

迴轉環 (ROTARY RING): R-SIC / S-SIC / T.C / CARBON

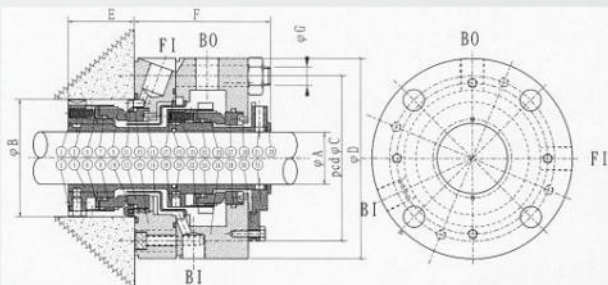
密封圈 (O-RING): TRP / KALREZ / VITON / OTHERS

應用產業 / APPLICATION FIELD

石化 / 生化 / 製藥

PETROCHEMISTRY / BIOCHEMISTRY /
PHARMACEUTICAL INDUSTRY

剖面圖 / PROFILE



MAC 2000

POCAR

PRODUCT

MAC 2000 Series

組成元件 / COMPONENT DATA

結構特性 COMPONENT DATA

■ 專利型卡夾式多彈簧雙軸封，安裝簡易輕鬆。

Patent cartridge double seals with multi springs; easy to install

■ 雙向平衡型設計，PLAN52及PLAN53共用。

Balance design; suitable for both PLAN 52 and PLAN 53

■ 配置DLAN22散熱系統，高溫裂解製程最佳夥伴。

Equipped with PLAN 22 heat sink system; the best partner for pyrolysis process

■ 專利型 PUMPING 設計，循環效果特強、散熱性特佳，是高溫高壓製程最佳夥伴。

Patent pumping design; good circulatory and heat sink effect; the best partner for high temperature and high pressure process

■ 轉動設備減量 VOC 之最佳搭配。

Efficiently reduce the VOCs amount produced by rotary equipment

■ 耐磨面使用整體碳化矽SIC、碳精CB、超硬質合金TC，精度長久不變。

Wear-resisting surface made by one piece SIC, CARBON or TC; with long and durable precision

尺寸規格 / DIMENSION

NO	Description	Material	Quantity
1	COLLAR	316	1
2	PUMPPING	BC6	1
3	SPRING	316	12
4	SLEEVE	316	1
5	O-RING	TRP	1
6	WASHER	316	1
7	O-RING	TRP	1
8	BACK UP RING	316	1
9	DOWN ROTARY	EK3205	1
10	PARKING	304 +CB	1
11	SUPPORT	316	1
12	DOWN STATIONARY	SIC	1
13	O-RING	TRP	1
14	HAUSING	316	1
15	SET PIN	316	4
16	FLOWING RING	316	1
17	PARKING	304+CB	1
18	COLLAR	316	1
19	O-RING	TRP	1
20	SET PIN	316	4
21	SPRING	316	12
22	WASHER	316	1
23	O-RING	TRP	1
24	BACK UP RING	316	1
25	UP ROTARY	EK3205	1
26	COVER	316	1
27	UP STATIONARY	SIC	1
28	O-RING	TRP	1
29	PIN	316	2
30	CLIPS	316	4
31	SET SCREW	SNCM8	8
32	RETAINER	316	1
33	SET RING	316	1

TRPE NO	MIN A	MAX A	MIN B	MAX B	MIN C	MAX C	MIN D	MAX D	E	F	G
2025	25	1"	41.5	76	70	101	90	140	59	72	13
2028	28	1.125"	44.5	79	73	101.6	98	140	59	72	13
2030	30	-----	46	90	75	114.3	108	150	59	76	14.3
2032	32	1.25"	48	90	82.5	114.3	108	150	59	76	14.3
2035	35	1.375"	50.8	73	82.5	114.3	180	150	59	101.6	14.3
2038	38	1.5"	58	90	85.7	114.3	120	150	59	101.6	14.3
2040	40	1.625"	60	90	91.7	125	120	160	59	101.6	14.3
2043	43	-----	63.5	100	95	139.7	120	170	59	111.1	14.3
2045	45	1.75"	63.5	100	104.3	139.7	127	170	59	111.1	14.3
2048	48	1.875"	67	100	98.4	144.5	127	170	59	111.1	19
2050	50	2"	70	100	104.3	144.5	127	170	59	111.1	19
2053	53	-----	73	114.3	110	152.4	135	190	59	111.1	19
2055	55	2.125"	73	114.3	110	152.4	135	190	72	111.1	19
2057	57	2.25"	76.2	114.3	120	160	150	195	72	111.1	19
2060	60	2.375"	82.5	120	125	170	150	200	72	111.1	19
2063	63	2.5"	85.7	130	125	170	165	200	72	111.1	19
2065	65	-----	88.9	130	125	170	165	200	72	111.1	19
2067	-----	2.625"	88.9	130	139.7	170	165	210	72	111.1	19
2070	70	2.75"	95	130	139.7	170	178	210	90	111.1	22
2075	75	3"	104.3	139.7	146	180	178	215	90	111.1	22
2080	80	3.125"	109	140	146	180	178	215	90	117	22
2083	-----	3.25"	111.1	140	152.5	180	190	215	90	117	22
2085	85	3.375"	111.1	140	180	205	220	246	90	117	22
2090	90	3.5"	119	160	190	205	220	246	90	117	22
2093	-----	3.625"	119	160	190	205	220	246	90	117	22
2095	95	3.75"	125.4	170	200	215	246	246	90	117	22
2100	100	4"	125.4	170	200	215	246	254	90	138	22

單位：英吋

Unit : inch

MAC 3000 Series



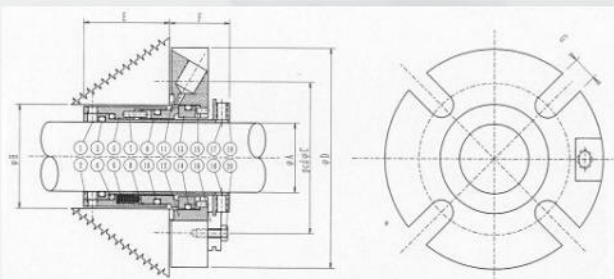
應用產業 / APPLICATION FIELD

煉鋼 / 生化 / 污水處理

STEEL MAKING / BIOCHEMISTRY /

SEWAGE SYSTEM

剖面圖 / PROFILE



應用設備 APPLICATION EQUIPMENT

- 適用污水處理設備。
Suitable for sewage treatment system
- 水泵、化工泵、豎軸泵、鋼鐵廠大型水泵、一般轉動設備。
Adaptable to water pumps, chemical pumps, vertical pumps, and general rotary equipments
- DIN、ANSI標準系列泵浦。
Suitable for DIN and ANSI standard pump series

詳細說明 / DESCRIPTION

應用條件 APPLICATION CONDITION

溫度 (TEMP RANGE): - 30°C ~ 330°C

壓力 (PRESSURE): 12Kg/cm²

週速 (SPEED): 23m/sec

標準材質 STANDARD MATERIAL

金屬 (METAL): SUS316 / Ti2 / C-276 / B2 / Zr702

固定環 (SEAT RING): S-SIC / R-SIC / T.C / CARBON

迴轉環 (ROTARY RING): R-SIC / S-SIC / T.C / CARBON

密封圈 (O-RING): TRP / KALREZ / VITON / OTHERS

MAC 3000

POCAR

PRODUCT

MAC 3000 Series

組成元件 / COMPONENT DATA

結構特性 COMPONENT DATA

- 專利型卡夾式單彈簧外裝式軸封，安裝簡易輕鬆。

Patent cartridge external seal with single spring; easy to install

- 抗結晶設計，針對聚合式、高真空、粹取製程，使用壽命長久。

Crystallization-resisting design; suitable for processes like polymerization, vacuum and extract; with long lifetime

- 耐磨面使用整體碳化矽SIC、碳精CB、超硬質合金TC，精度長久不變。

Wear-resisting surface made by one piece SIC, CARBON or TC; with long and durable precision

NO	Description	Material	Quantity
1	SETPIN SCREW	316	4
2	SLEEVE	316	1
3	O-RING	TRP	1
4	O-RING	TRP	1
5	SPRING RETAINER	316	1
6	SPRING	316	12
7	CONTACT PIN	316	4
8	WASHER	316	1
9	ROTARY	TC/SIC/CB	1
10	O-RING	TRP	1
11	PACKING	FIBER	1
12	COVER	316	1
13	STATIONARY	TC/SIC/CB	1
14	O-RING	TRP	1
15	CONTACT PIN	316	2
16	CLIPS	316	4
17	SET SCREW	316	12
18	SETPIN SCREW	316	4
19	RETAINER	316	1
20	BOLT	316	4

尺寸規格 / DIMENSION

TRPE NO	MIN A	MAX A	MIN B	MAX B	MIN C	MAX C	MIN D	MAX D	E	F	G
3025	25	1"	41.5	76	70	101	90	140	59	41.3	10
3028	28	1.125"	44.5	79	73	101.6	98	140	59	41.3	11
3030	30	-----	46	90	75	114.3	108	150	59	41.3	11
3032	32	1.25"	48	90	82.5	114.3	108	150	59	41.3	11
3035	35	1.375"	50.8	73	82.5	114.3	180	150	59	41.3	11
3038	38	1.5"	58	90	85.7	114.3	120	150	59	50.5	14
3040	40	1.625"	60	90	91.7	125	120	160	59	50.5	14
3043	43	-----	63.5	100	95	139.7	120	170	59	50.5	14
3045	45	1.75"	63.5	100	104.3	139.7	127	170	59	50.5	14
3048	48	1.875"	67	100	98.4	144.5	127	170	59	50.3	14
3050	50	2"	70	100	104.3	144.5	127	170	59	50.3	14
3053	53	-----	73	114.3	110	152.4	135	190	59	50.3	14
3055	55	2.125"	73	114.3	110	152.4	135	190	72	50.3	14
3057	57	2.25"	76.2	114.3	120	160	150	195	72	60.3	18
3060	60	2.375"	82.5	120	125	170	150	200	72	60.3	18
3063	63	2.5"	85.7	130	125	170	165	200	72	60.3	18
3065	65	-----	88.9	130	125	170	165	200	72	60.3	18
3067	-----	2.625"	88.9	130	139.7	170	165	210	72	60.3	18
3070	70	2.75"	95	130	139.7	170	178	210	90	60.3	18
3075	75	3"	104.3	139.7	146	180	178	215	90	60.3	18
3080	80	3.125"	109	140	146	180	178	215	90	65	21
3083	-----	3.25"	111.1	140	152.5	180	190	215	90	65	21
3085	85	3.375"	111.1	140	180	205	220	246	90	65	21
3090	90	3.5"	119	160	190	205	220	246	90	65	21
3093	-----	3.625"	119	160	190	205	220	246	90	65	21
3095	95	3.75"	125.4	170	200	215	246	246	90	65	21
3100	100	4"	125.4	170	200	215	246	254	90	65	21

單位：英吋 Unit: inch

MAC 4000 Series

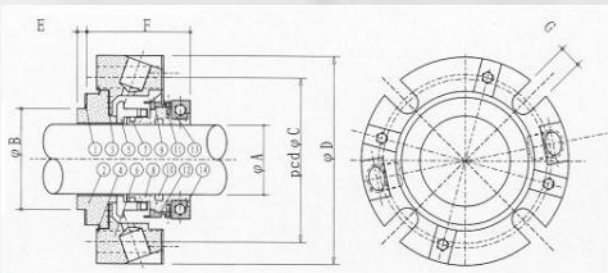


應用產業 / APPLICATION FIELD

煉鋼 / 腐蝕 / 生化

TEEL MAKING / CORROSIVENESS /
BIOCHEMISTRY

剖面圖 / PROFILE



應用設備 APPLICATION EQUIPMENT

- 硫酸、鹽酸、硝酸、氟酸、強鹼等高腐蝕性設備。
Suitable for corrosiveness equipments
(ex : sulfuric acid, hydrochloric acid, nitric acid and fluorine acid)
- 真空、高壓互換頻繁之設備。
Suitable for frequent vacuum and high pressure
Interchange equipments
- 適用於易結晶、高固形物製程。
Suitable for crystallization and suspended solid
content process
- 適用於製藥、生化、酸洗、精鍊等相關設備。
Suitable for pharmacy, biochemistry,
acid-washing, refining related equipments

詳細說明 / DESCRIPTION

應用條件 APPLICATION CONDITION

溫度 (TEMP RANGE): - 40°C ~ 120°C

壓力 (PRESSURE): 12Kg/cm²

週速 (SPEED): 23m/sec

標準材質 STANDARD MATERIAL

金屬 (METAL): SUS316 / Ti2 / C-276 / B2 / Zr702

固定環 (SEAT RING): S-SIC / R-SIC / T.C

迴轉環 (ROTARY RING): R-SIC / S-SIC / T.C / CARBON

密封圈 (O-RING): TRP / KALREZ / VITON / OTHERS

MAC 4000

POCAR

PRODUCT

MAC 4000 Series

組成元件 / COMPONENT DATA

結構特性 COMPONENT DATA

■ 卡夾外裝式設計結構，依API-682規範設計、製造、測試。

Cartridge external design; designed, manufactured and tested in compliance with API-682 standard

■ 單彈簧設計，彈簧不與液體接觸，不受結晶物影響，適用於高腐蝕轉動設備。

Single spring has no contact with liquid; free of crystallization; suitable for corrosiveness rotary equipments

NO	Description	Material	Quantity
1	PACKING	PTFE	1
2	STATIONARY	SIC	1
3	PACKING	PTFE	1
4	C-RING	316	1
5	ROTARY	SIC	1
6	COVER	316	1
7	O-RING	TRP	1
8	SLEEVE	PTFE	1
9	OILSEAL	VT	1
10	O-RING	TRP	1
11	CLIP	316	4
12	WEAR BUSH	316	1
13	RETAINER	316	1
14	SOCKET SCREW	316	2

尺寸規格 / DIMENSION

TRPE NO	MIN A	MAX A	MIN B	MAX B	MIN C	MAX C	MIN D	MAX D	E	F	G
4025	25	1"	41.5	76	70	101	90	140	5	51	10
4028	28	1.125"	44.5	79	73	101.6	98	140	5	51	11
4030	30	----	46	90	75	114.3	108	150	5	51	11
4032	32	1.25"	48	90	82.5	114.3	108	150	5	53	11
4035	35	1.375"	50.8	73	82.5	114.3	180	150	5	53	11
4038	38	1.5"	58	90	85.7	114.3	120	150	5	63.5	14
4040	40	1.625"	60	90	91.7	125	120	160	5	63.5	14
4043	43	----	63.5	100	95	139.7	120	170	5	63.5	14
4045	45	1.75"	63.5	100	104.3	139.7	127	170	5	63.5	14
4048	48	1.875"	67	100	98.4	144.5	127	170	5	70	14
4050	50	2"	70	100	104.3	144.5	127	170	8	70	14
4053	53	----	73	114.3	110	152.4	135	190	8	70	14
4055	55	2.125"	73	114.3	110	152.4	135	190	8	70	14
4057	57	2.25"	76.2	114.3	120	160	150	195	8	78	18
4060	60	2.375"	82.5	120	125	170	150	200	8	78	18
4063	63	2.5"	85.7	130	125	170	165	200	8	81.5	18
4065	65	2.625"	88.9	130	125	170	165	200	8	81.5	18
4067	65	2.625"	88.9	130	139.7	170	165	210	8	81.5	18
4070	70	2.75"	95	130	139.7	170	178	210	8	81.5	18
4075	75	3"	104.3	139.7	146	180	178	215	10	81.5	18
4080	80	3.125"	109	140	146	180	178	215	10	89	21
4083	83	3.25"	111.1	140	152.5	180	190	215	10	89	21
4085	85	3.375"	111.1	140	180	205	220	246	10	89	21
4090	90	3.5"	119	160	190	205	220	246	10	89	21
4093	93	3.625"	119	160	190	205	220	246	10	89	21
4095	95	3.75"	125.4	170	200	215	246	246	10	89	21
4100	100	4"	125.4	170	200	215	246	254	10	89	21

單位：英寸

Unit : inch

MAC 5000 Series



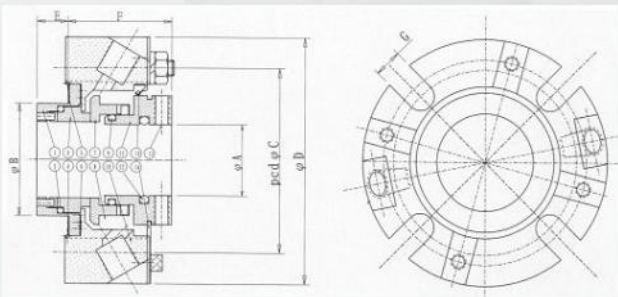
應用產業 / APPLICATION FIELD

石化 / 煉鋼 / 生化 / 污水處理

PETROCHEMISTRY / STEEL MAKING /

BIOCHEMISTRY / SEWAGE SYSTEM

剖面圖 / PROFILE



應用設備 APPLICATION EQUIPMENT

- 適用污水處理設備。

Suitable for sewage treatment systems

- 水泵、化工泵、豎軸泵、鋼鐵廠大型水泵、一般轉動設備。

Adaptable to water pumps, chemical pumps, vertical pumps, and general rotary equipments

- DIN、ANSI標準系列泵浦。

Suitable for DIN and ANSI standard pump series

詳細說明 / DESCRIPTION

應用條件 APPLICATION CONDITION

溫度 (TEMP RANGE): - 40°C ~ 230°C

壓力 (PRESSURE): 12Kg/cm²

週速 (SPEED): 23m/sec

標準材質 STANDARD MATERIAL

金屬 (METAL): SUS316 / Ti2 / C-276 / B2 / Zr702

固定環 (SEAT RING): S-SIC / R-SIC / T.C / CARBON

迴轉環 (ROTARY RING): S-SIC / R-SIC / T.C

密封圈 (O-RING): TRP / KALREZ / VITON / OTHERS

MAC 5000

POSEAR

PRODUCT

MAC 5000 Series

組成元件 / COMPONENT DATA

結構特性 COMPONENT DATA

- 專利型卡夾式單彈簧外裝式軸封，安裝簡易輕鬆。

Patent cartridge external seal with single spring;
easy to install

- 抗結晶設計，針對聚合、高真空、粹取製程，使用壽命長久。

Crystallization-resisting design; suitable for
processes like polymerization, vacuum and extract;
with long lifetime

- 耐磨面使用整體碳化矽SIC、碳精CB、超硬質合金TC，精度長久不變。

Wear-resisting surface made by one piece SIC,
CARBON or TC; with long and durable precision

NO	Description	Material	Quantity
1	CONTACT PLATE	316	1
2	O-RING	VT	1
3	STATIONARY	TCL	1
4	C-RING	316	1
5	PACKING	PTFE	1
6	PACKING	PTFE	1
7	ROTARY	TCL	1
8	SPRING	316	1
9	O-RING	VT	1
10	COVER	316	1
11	RETAINER	316	1
12	O-RING	VT	1
13	OIL SEAL	VT	1
14	CLIP	316	4
15	SET SCREW	SNM8	4

尺寸規格 / DIMENSION

TRPE NO	MIN A	MAX A	MIN B	MAX B	MIN C	MAX C	MIN D	MAX D	E	F	G
5025	25	1"	41.5	76	70	101	90	140	25	41.3	10
5028	28	1.125"	44.5	79	73	101.6	98	140	25	41.3	11
5030	30	---	46	90	75	114.3	108	150	25	41.3	11
5032	32	1.25"	48	90	82.5	114.3	108	150	25	41.3	11
5035	35	1.375"	50.8	73	82.5	114.3	180	150	25	41.3	11
5038	38	1.5"	58	90	85.7	114.3	120	150	25	50.5	14
5040	40	1.625"	60	90	91.7	125	120	160	25	50.5	14
5043	43	---	63.5	100	95	139.7	120	170	25	50.5	14
5045	45	1.75"	63.5	100	104.3	139.7	127	170	25	50.5	14
5048	48	1.875"	67	100	98.4	144.5	127	170	25	50.3	14
5050	50	2"	70	100	104.3	144.5	127	170	25	50.3	14
5053	53	---	73	114.3	110	152.4	135	190	38	50.3	14
5055	55	2.125"	73	114.3	110	152.4	135	190	38	50.3	14
5057	57	2.25"	76.2	114.3	120	160	150	195	38	60.3	18
5060	60	2.375"	82.5	120	125	170	150	200	38	60.3	18
5063	63	2.5"	85.7	130	125	170	165	200	38	60.3	18
5065	65	---	88.9	130	125	170	165	200	38	60.3	18
5067	---	2.625"	88.9	130	139.7	170	165	210	38	60.3	18
5070	70	2.75"	95	130	139.7	170	178	210	38	60.3	18
5075	75	3"	104.3	139.7	146	180	178	215	44.5	60.3	18
5080	80	3.125"	109	140	146	180	178	215	44.5	65	21
5083	---	3.25"	111.1	140	152.5	180	190	215	44.5	65	21
5085	85	3.375"	111.1	140	180	205	220	246	44.5	65	21
5090	90	3.5"	119	160	190	205	220	246	44.5	65	21
5093	---	3.625"	119	160	190	205	220	246	44.5	65	21
5095	95	3.75"	125.4	170	200	215	246	246	44.5	65	21
5100	100	4"	125.4	170	200	215	246	254	44.5	65	21

單位：英吋

Unit : inch¹¹

MAC 6000 Series 6A



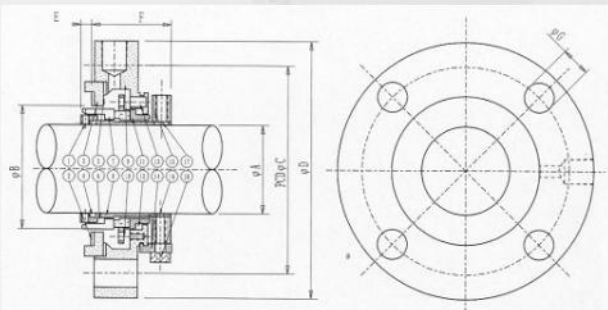
應用產業 / APPLICATION FIELD

煉鋼 / 生化 / 污水處理

STEEL MAKING / BIOCHEMISTRY /

SEWAGE SYSTEM

剖面圖 / PROFILE



應用設備 APPLICATION EQUIPMENT

- 適用污水處理設備。

Suitable for sewage treatment systems

- 水泵、化工泵、豎軸泵、鋼鐵廠大型水泵、一般轉動設備。

Adaptable to water pumps, chemical pumps, vertical pumps, and general rotary equipments

- DIN、ANSI 標準系列泵浦。

Suitable for DIN and ANSI standard pump series

詳細說明 / DESCRIPTION

應用條件 APPLICATION CONDITION

溫度 (TEMP RANGE): - 40°C ~ 230°C

壓力 (PRESSURE): 12Kg/cm²

週速 (SPEED): 23m/sec

標準材質 STANDARD MATERIAL

金屬 (METAL): SUS316 / Ti2 / C-276 / B2 / Zr702

固定環 (SEAT RING): S-SIC / R-SIC / T.C

迴轉環 (ROTARY RING): S-SIC / R-SIC / T.C / CARBON

密封圈 (O-RING): TRP / KALREZ / VITON / OTHERS

MAC6000 6A

POCAR

PRODUCT

結構特性 COMPONENT DATA

- 專利型卡夾式多彈簧雙軸封設計，安裝簡易輕鬆。

Patent cartridge double seals with multi springs;
easy to install

- 耐磨面使用整體碳化矽SIC、碳精CB、超硬質合金TC，精度長久不變。

Wear-resisting surface made by one piece SIC,
CARBON or TC; with long and durable precision

- 專利型抗結晶設計，針對聚合物或高真空煉取製程，擁有許多優良實例，使用壽命長久。

Patent crystallization-resisting design; suitable for
polymerization, vacuum and extract process;
with long lifetime

NO	Description	Material	Quantity
1	PIN	316	1
2	PACKING	PTFE	1
3	CONTACT PLATE	316	1
4	O-RING	TRP	1
5	PACKING	PTFE	1
6	O-RING	TRP	1
7	ROTARY	TCL	1
8	SLEEVE	316	1
9	COVER	316	1
10	SET PIN	316	3
11	STATIONARY	Ti+CB	1
12	O-RING	TRP	1
13	SPRING	316	1
14	CLIPS	316	3
15	RETAINER	316	1
16	SET SCREW	SNCM 8	3
17	SET SCREW	316	6
18	SOCKET SCREW	SNCM 8	3

尺寸規格 / DIMENSION

TRPE NO	MIN A	MAX A	MIN B	MAX B	MIN C	MAX C	MIN D	MAX D	E	F	G
6025	25	1"	41.5	76	70	101	90	140	5	41.3	10
6028	28	1.125"	44.5	79	73	101.6	98	140	5	41.3	11
6030	30	-----	46	90	75	114.3	108	150	5	41.3	11
6032	32	1.25"	48	90	82.5	114.3	108	150	5	41.3	11
6035	35	1.375"	50.8	73	82.5	114.3	180	150	5	41.3	11
6038	38	1.5"	58	90	85.7	114.3	120	150	5	50.5	14
6040	40	1.625"	60	90	91.7	125	120	160	5	50.5	14
6043	43	-----	63.5	100	95	139.7	120	170	5	50.5	14
6045	45	1.75"	63.5	100	104.3	139.7	127	170	5	50.5	14
6048	48	1.875"	67	100	98.4	144.5	127	170	5	50.3	14
6050	50	2"	70	100	104.3	144.5	127	170	5	50.3	14
6053	53	-----	73	114.3	110	152.4	135	190	5	50.3	14
6055	55	2.125"	73	114.3	110	152.4	135	190	8	50.3	14
6057	57	2.25"	76.2	114.3	120	160	150	195	8	60.3	18
6060	60	2.375"	82.5	120	125	170	150	200	8	60.3	18
6063	63	2.5"	85.7	130	125	170	165	200	8	60.3	18
6065	65	-----	88.9	130	125	170	165	200	8	60.3	18
6067	-----	2.625"	88.9	130	139.7	170	165	210	8	60.3	18
6070	70	2.75"	95	130	139.7	170	178	210	10	60.3	18
6075	75	3"	104.3	139.7	146	180	178	215	10	60.3	18
6080	80	3.125"	109	140	146	180	178	215	10	65	21
6083	-----	3.25"	111.1	140	152.5	180	190	215	10	65	21
6085	85	3.375"	111.1	140	180	205	220	246	10	65	21
6090	90	3.5"	119	160	190	205	220	246	10	65	21
6093	-----	3.625"	119	160	190	205	220	246	10	65	21
6095	95	3.75"	125.4	170	200	215	246	246	10	65	21
6100	100	4"	125.4	170	200	215	246	254	10	65	21

單位：英吋

Unit : inch³

MAC 6000 Series 6B

組成元件 / COMPONENT DATA

結構特性 COMPONENT DATA

- 性能卓越之單卡夾軸封。

High quality and good performance cartridge single seal

- 耐磨面使用整體碳化矽SIC、碳精CB、超硬質合金TC，精度長久不變。

Wear-resisting surface made by one piece SIC, CARBON or TC; with long and durable precision

NO	Description	Material	Quantity
1	PACKING	PTFE	1
2	COVER	304	1
3	O-RING	PC968	1
4	SLEEVE	TC	1
5	PIN	TI+EK3205	4
6	O-RING	304	1
7	DOWN ROTARY	316	1
8	DOWN STATIONARY	PC968	1
9	PIN	EK2200	4
10	SPRING	304	10
11	O-RING	304	1
12	BUSH	304	1
13	SET SCREW	304	4
14	SETPIN SCREW	304	4
15	RETAINER	304	1
16	CLIPS	304	4
17	SET SCREW	304	4
18	BOLT	304	4

尺寸規格 / DIMENSION

TRPE NO	MIN A	MAX A	MIN B	MAX B	MIN C	MAX C	MIN D	MAX D	E	F	G
6025	25	1"	41.5	76	70	101	90	140	5	41.3	10
6028	28	1.125"	44.5	79	73	101.6	98	140	5	41.3	11
6030	30	-----	46	90	75	114.3	108	150	5	41.3	11
6032	32	1.25"	48	90	82.5	114.3	108	150	5	41.3	11
6035	35	1.375"	50.8	73	82.5	114.3	180	150	5	41.3	11
6038	38	1.5"	58	90	85.7	114.3	120	150	5	50.5	14
6040	40	1.625"	60	90	91.7	125	120	160	5	50.5	14
6043	43	-----	63.5	100	95	139.7	120	170	5	50.5	14
6045	45	1.75"	63.5	100	104.3	139.7	127	170	5	50.5	14
6048	48	1.875"	67	100	98.4	144.5	127	170	5	50.3	14
6050	50	2"	70	100	104.3	144.5	127	170	5	50.3	14
6053	53	-----	73	114.3	110	152.4	135	190	5	50.3	14
6055	55	2.125"	73	114.3	110	152.4	135	190	8	50.3	14
6057	57	2.25"	76.2	114.3	120	160	150	195	8	60.3	18
6060	60	2.375"	82.5	120	125	170	150	200	8	60.3	18
6063	63	2.5"	85.7	130	125	170	165	200	8	60.3	18
6065	65	-----	88.9	130	125	170	165	200	8	60.3	18
6067	-----	2.625"	88.9	130	139.7	170	165	210	8	60.3	18
6070	70	2.75"	95	130	139.7	170	178	210	10	60.3	18
6075	75	3"	104.3	139.7	146	180	178	215	10	60.3	18
6080	80	3.125"	109	140	146	180	178	215	10	65	21
6083	-----	3.25"	111.1	140	152.5	180	190	215	10	65	21
6085	85	3.375"	111.1	140	180	205	220	246	10	65	21
6090	90	3.5"	119	160	190	205	220	246	10	65	21
6093	-----	3.625"	119	160	190	205	220	246	10	65	21
6095	95	3.75"	125.4	170	200	215	246	246	10	65	21
6100	100	4"	125.4	170	200	215	246	254	10	65	21

單位：英吋 Unit: inch

MAC 7000 Series

應用設備 APPLICATION EQUIPMENT



■ 硫酸、鹽酸、硝酸、氟酸、強鹼等高腐蝕性設備。
Suitable for corrosiveness equipments
(ex : sulfuric acid, hydrochloric acid, nitric acid and fluorine acid)

■ 真空、高壓互換頻繁之設備。
Suitable for frequent vacuum and high pressure interchange equipments

■ 適用於易結晶、高固形物製程。
Suitable for crystallization and suspended solid content process

■ 適用於製藥、生化、酸洗、精鍊等相關設備。
Suitable for pharmacy, biochemistry, acid-washing, refining related equipments

詳細說明 / DESCRIPTION

應用條件 APPLICATION CONDITION

溫度 (TEMP RANGE): - 40°C ~ 330°C

壓力 (PRESSURE): 真空25Kg/cm²

週速 (SPEED): 25m/sec

標準材質 STANDARD MATERIAL

金屬 (METAL): SUS316 / Ti2 / C-276 / B2 / Zr702

固定環 (SEAT RING): S-SIC / R-SIC / T.C

迴轉環 (ROTARY RING): R-SIC / S-SIC / T.C / CARBON

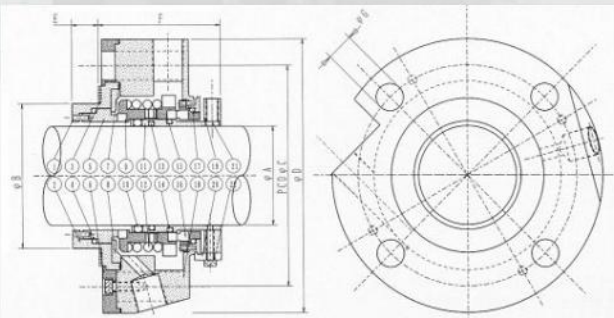
密封圈 (O-RING): TRP / KALREZ / VITON / OTHERS

應用產業 / APPLICATION FIELD

石化 / 煉鋼 / 腐蝕

PETROCHEMISTRY / STEEL MAKING /
CORROSIVENESS

剖面圖 / PROFILE



MAC 7000

POCAR

PRODUCT

MAC 7000 Series

組成元件 / COMPONENT DATA

結構特性 COMPONENT DATA

- 卡夾外裝式設計，結構依API-682規範設計、製造、測試。

Cartridge external design; designed, manufactured and tested in compliance with API-682 standard

- 共用單彈簧組設計，彈簧不與液體接觸，不受結晶物影響，適用於高腐蝕轉動設備。

Single spring sharing design; springs have no contact with liquid; free of crystallization; suitable for high corrosiveness rotary equipments

- 背靠背設計，PLAN 52、PLAN 53共用

Back-to-back design, suitable for both PLAN 52 and PLAN 53

NO	Description	Material	Quantity
1	PIN	C276	1
2	CONTACT PLATE	C276	1
3	PACKING	FIBER	1
4	O-RING	TRP	1
5	DOWN STATIONARY	SIC	1
6	SET PLATE	316	1
7	PACKING	PTFE	1
8	SUPPORT	316	1
9	DOWN ROTARY	C276+SIC	1
10	O-RING	TRP	1
11	SLEEVE	316	1
12	SPRING	316	1
13	O-RING	TRP	1
14	O-RING	TRP	1
15	UP ROTARY	Ti+SIC	1
16	UP STATIONARY	Ti+EK3205	1
17	O-RING	TRP	1
18	COVER	316	1
19	RETAINER	316	1
20	CLIPS	316	3
21	SET SCREW	316	6
22	SOCKET SCREW	SBCM8	3

尺寸規格 / DIMENSION

TR PE NO	MIN A	MAX A	MIN B	MAX B	MIN C	MAX C	MIN D	MAX D	E	F	G
7025	25	1"	41.5	76	70	101	90	140	25	49.6	13
7028	28	1.125"	44.5	79	73	101.6	98	140	25	49.6	13
7030	30	----	46	90	75	114.3	108	150	25	49.6	14.3
7032	32	1.25"	48	90	82.5	114.3	108	150	25	49.6	14.3
7035	35	1.375"	50.8	73	82.5	114.3	180	150	25	49.6	14.3
7038	38	1.5"	58	90	85.7	114.3	120	150	25	49.6	14.3
7040	40	1.625"	60	90	91.7	125	120	160	25	54.2	14.3
7043	43	----	63.5	100	95	139.7	120	170	25	54.2	14.3
7045	45	1.75"	63.5	100	104.3	139.7	127	170	25	54.2	14.3
7048	48	1.875"	67	100	98.4	144.5	127	170	25	63.5	19
7050	50	2"	70	100	104.3	144.5	127	170	25	63.5	19
7053	53	----	73	114.3	110	152.4	135	190	35	63.5	19
7055	55	2.125"	73	114.3	110	152.4	135	190	35	75	19
7057	57	2.25"	76.2	114.3	120	160	150	195	35	75	19
7060	60	2.375"	82.5	120	125	170	150	200	35	75	19
7063	63	2.5"	85.7	130	125	170	165	200	35	77	19
7065	65	----	88.9	130	125	170	165	200	35	77	19
7067	----	2.625"	88.9	130	139.7	170	165	210	35	77	19
7070	70	2.75"	95	130	139.7	170	178	210	35	77	22
7075	75	3"	104.3	139.7	146	180	178	215	50	80	22
7080	80	3.125"	109	140	146	180	178	215	50	90	22
7083	----	3.25"	111.1	140	152.5	180	190	215	50	90	22
7085	85	3.375"	111.1	140	180	205	220	246	50	90	22
7090	90	3.5"	119	160	190	205	220	246	50	100	22
7093	----	3.625"	119	160	190	205	220	246	50	100	22
7095	95	3.75"	125.4	170	200	215	246	246	50	100	22
7100	100	4"	125.4	170	200	215	246	254	50	100	22

單位：英吋 Unit: inch

MAC 8000 Series

應用設備 APPLICATION EQUIPMENT



■ 大型攪拌機系列，如：生化、製藥、聚合、電子級環氧樹脂、食品工業等，清潔度要求較高之工業。

Suitable for large-size agitators, such as biochemistry, pharmacy, polymerization, electron epoxy, foodstuff industry

■ 適用於高污染、高固形物製程。

Suitable for heavy pollution and high suspended solid content process

■ 真空、高壓互換頻繁之轉動設備。

Suitable for frequent vacuum and high pressure interchange equipments

詳細說明 / DESCRIPTION

應用產業 / APPLICATION FIELD

石化 / 生化 / 污水處理

PETROCHEMISTRY / BIOCHEMISTRY /

SEWAGE SYSTEM

應用條件 APPLICATION CONDITION

溫度 (TEMP RANGE): $-40^{\circ}\text{C} \sim 330^{\circ}\text{C}$

壓力 (PRESSURE): 真空 $\sim 25 \text{ Kg/cm}^2$

週速 (SPEED): 400 RPM

標準材質 STANDARD MATERIAL

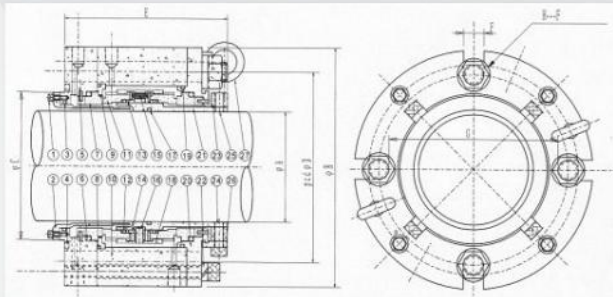
金屬 (METAL): SUS316 / Ti2 / C-276 / B2 / Zr702

固定環 (SEAT RING): S-SIC / R-SIC / T.C

迴轉環 (ROTARY RING): S-SIC / R-SIC / T.C / CARBON

密封圈 (O-RING): TRP / KALREZ / VITON / OTHERS

剖面圖 / PROFILE



MAC 8000

POCAR

PRODUCT

MAC 8000 Series

組成元件 / COMPONENT DATA

結構特性 COMPONENT DATA

- 雙軸封多彈簧卡夾式專利型設計，安裝簡易輕鬆。

Patent cartridge double seals with multi springs; easy to install

- 雙向平衡型設計，PLAN 52及PLAN 53共用。

Balance design; suitable for both PLAN 52 and PLAN 53

- 彈簧不和液體接觸，完全不受結晶物影響。

Springs have no direct contact with liquid; free of crystallization

- 自循環功能，不需加壓。

Auto-circulation function; no need to pressurize

- 耐磨面使用整體碳化矽SIC、碳精CB、超硬質合金TC，精度長久不變。

Wear-resisting surface made by one piece SIC, CARBON or TC; with long and durable precision

NO	Description	Material	Quantity
1	SOCKET SCREW	316	4
2	OVER FLOWS BUSH	316	1
3	O-RING	TRP	1
4	O-RING	TRP	1
5	CONTACT PLATE	316	1
6	O-RING	TRP	2
7	STATIONARY	TC	2
8	O-RING	TRP	1
9	SET PLATE	316	1
10	SEAL CASING	316	1
11	ROTARY	EK3205	2
12	O-RING	TRP	2
13	PACKING	PTFE	2
14	BACK RING	PTFE	1
15	SPRING	316	18
16	SET PIN	316	4
17	O-RING	TRP	1
18	COLLAR	316	1
19	O-RING	TRP	1
20	COVER	316	1
21	SLEEVE	316	1
22	SOCKET SCREW	SNCM8	4
23	RETAINER	316	1
24	SOCKET SCREW	SNCM8	4
25	SOCKET SCREW	316	8
26	CLIPS	SS304	2
27	EYE BOLT	SF46	2

尺寸規格 / DIMENSION

TYPE NO	A (mm)	A (inch)	D	B	C	E	F	G	H
8050	50	2"	150	75	120	130	14	106	4
8051	-----	2"	150	3	120	130	14	106	4
8054	-----	2.125"	150	3.125	120	130	14	106	4
8055	55	-----	150	80	120	130	14	106	4
8060	60	-----	160	85	130	130	14	116	4
8061	-----	2.375"	160	3.375	130	130	14	116	4
8063	-----	2.5"	160	4	130	130	14	116	4
8065	65	-----	180	90	130	130	14	116	4
8069	-----	2.75"	170	4.25	140	130	18	122	4
8070	70	-----	170	102	140	130	18	122	4
8075	75	-----	170	108	140	140	18	122	4
8076	-----	3"	180	4.5	150	140	18	132	4
8079	-----	3.125"	180	4.625	150	140	18	132	4
8080	80	-----	190	112	160	140	18	142	4
8085	85	-----	190	117	160	140	18	142	4
8086	-----	3.375"	200	4.875	170	140	18	152	4
8089	-----	3.5"	200	5	170	140	18	152	4
8090	90	-----	210	127	180	140	18	162	4
8095	95	-----	210	132	180	150	18	162	4
8096	-----	3.75"	215	5.25	180	150	18	162	4
8100	100	-----	215	134	180	150	18	162	4
8101	-----	4"	215	5.5	180	150	18	162	4
8104	-----	4.125"	220	5.625	190	150	22	168	4
8105	105	-----	230	141	190	150	22	168	4
8110	110	-----	240	148	190	160	22	168	4
8111	-----	4.375"	240	5.875	190	160	22	168	4
8114	-----	4.5"	250	6	195	160	22	173	6
8115	115	-----	260	160	195	160	22	173	6
8120	120	-----	270	170	200	160	22	178	6
8121	-----	4.75"	270	8.75	210	160	22	188	6
8125	125	-----	280	180	220	170	27	193	6
8127	-----	5"	280	7	230	170	27	203	6
8139	-----	5.5"	290	7.5	240	170	27	213	6
8140	140	-----	290	190	250	170	27	223	6
8150	150	-----	300	200	250	170	27	223	6

單位：英寸

Unit : inch

MAC 9000 Series

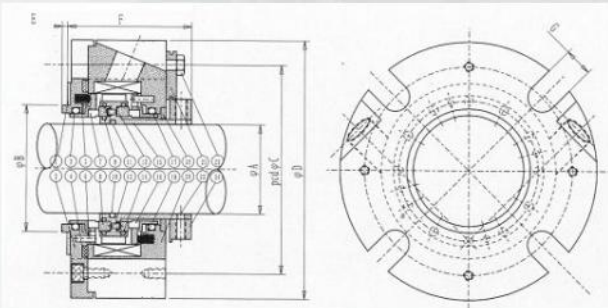


應用產業 / APPLICATION FIELD

石化 / 煉鋼 / 腐蝕

PETROCHEMISTRY / STEEL MAKING /
CORROSIVENESS

剖面圖 / PROFILE



應用設備 APPLICATION EQUIPMENT

- API、ANSI標準系列泵浦，轉動設備液體雙重密封。
Suitable for API and ANSI standard pumps series;
double seal the liquid in rotary equipment
- 適用於高污染、高固形物製程。
Suitable for heavy pollution and high suspended solid
content process
- 真空、高壓互換頻繁之轉動設備。
Suitable for frequent vacuum and high pressure
interchange equipments

詳細說明 / DESCRIPTION

應用條件 APPLICATION CONDITION

溫度 (TEMP RANGE): - 40°C ~ 330°C

壓力 (PRESSURE): 真空25Kg/cm²

週速 (SPEED): 25m/sec

標準材質 STANDARD MATERIAL

金屬 (METAL): SUS316 / Ti2 / C-276 / B2 / Zr702

固定環 (SEAT RING): S-SIC / R-SIC / T.C

迴轉環 (ROTARY RING): S-SIC / R-SIC / T.C / CARBON

密封圈 (O-RING): TRP / KALREZ / VITON / OTHERS

MAC 9000

POCAR

PRODUCT

MAC 9000 Series

組成元件 / COMPONENT DATA

結構特性 COMPONENT DATA

- 雙軸封多彈簧卡夾式專利型設計，安裝簡易輕鬆。

Patent cartridge double seals with multi-springs; easy to install

- 雙向平衡型設計，PLAN52及PLAN53共用。

balance design; suitable for both PLAN 52 and PLAN 53

- 彈簧不和液體接觸，完全不受結晶物影響。

Springs have no contact with liquid; free of crystallization

- 自循環功能，不需加壓。

Auto-circulation function; no need to pressurize

- 耐磨面使用整體碳化矽SIC、碳精CB、超硬質合金TC，精度長久不變。

Wear-resisting surface made by one piece SIC, CARBON or TC; with long and durable precision

NO	Description	Material	Quantity
1	PACKING	1500	1
2	CONTACT PLATE	316	1
3	O-RING	TRP	1
4	SPRYON	Ti+CB	1
5	SPRING	316	12
6	PIN	316	4
7	DOWN STATIONARY	Ti+3205	1
8	DOWN ROTARY	TC	1
9	O-RING	TRP	1
10	O-RING	TRP	1
11	O-RING	TRP	1
12	PIN	316	2
13	UP ROTARY	TC	1
14	O-RING	TRP	1
15	SLEEVE	316	1
16	UP STATIONARY	Ti+3205	1
17	O-RING	TRP	1
18	SPRING	316	12
19	BUSH	3205	1
20	COVER	316	1
21	CLIPS	316	4
22	SET SCREW	SNCMB	8
23	RETAINER	316	1
24	BOLT	SNCMB	4

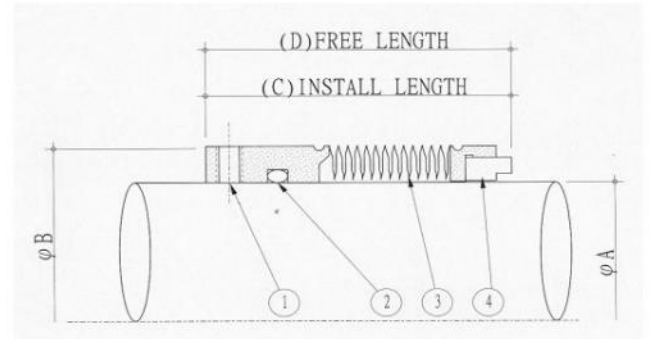
尺寸規格 / DIMENSION

TRPE NO	MIN A	MAX A	MIN B	MAX B	MIN C	MAX C	MIN D	MAX D	E	F	G
9025	25	1"	41.5	76	70	101	90	140	5	49.6	13
9028	28	1.125"	44.5	79	73	101.6	98	140	5	49.6	13
9030	30	----	46	90	75	114.3	108	150	5	49.6	14.3
9032	32	1.25"	48	90	82.5	114.3	108	150	5	49.6	14.3
9035	35	1.375"	50.8	73	82.5	114.3	180	150	5	49.6	14.3
9038	38	1.5"	58	90	85.7	114.3	120	150	5	49.6	14.3
9040	40	1.625"	60	90	91.7	125	120	160	5	54.2	14.3
9043	43	----	63.5	100	95	139.7	120	170	5	54.2	14.3
9045	45	1.75"	63.5	100	104.3	139.7	127	170	5	54.2	14.3
9048	48	1.875"	67	100	98.4	144.5	127	170	5	63.5	19
9050	50	2"	70	100	104.3	144.5	127	170	8	63.5	19
9053	53	----	73	114.3	110	152.4	135	190	8	63.5	19
9055	55	2.125"	73	114.3	110	152.4	135	190	8	75	19
9057	57	2.25"	76.2	114.3	120	160	150	195	8	75	19
9060	60	2.375"	82.5	120	125	170	150	200	8	75	19
9063	63	2.5"	85.7	130	125	170	165	200	8	77	19
9065	65	----	88.9	130	125	170	165	200	8	77	19
9067	----	2.625"	88.9	130	139.7	170	165	210	8	77	19
9070	70	2.75"	95	130	139.7	170	178	210	8	77	22
9075	75	3"	104.3	139.7	146	180	178	215	10	80	22
9080	80	3.125"	109	140	146	180	178	215	10	90	22
9083	----	3.25"	111.1	140	152.5	180	190	215	10	90	22
9085	85	3.375"	111.1	140	180	205	220	246	10	90	22
9090	90	3.5"	119	160	190	205	220	246	10	100	22
9093	----	3.625"	119	160	190	205	220	246	10	100	22
9095	95	3.75"	125.4	170	200	215	246	246	10	100	22
9100	100	4"	125.4	170	200	215	246	254	10	100	22

單位：英吋 Unit : inch

MAC 1000 Series 1B

剖面圖 / PROFILE



應用產業 / APPLICATION FIELD

石化 / 煉鋼 / 生化 / 製藥 / 污水處理

PETROCHEMISTRY / STEEL MAKING /

BIOCHEMISTRY / PHARMACEUTICAL INDUSTRY /

SEWAGE SYSTEM

詳細說明 / DESCRIPTION

應用條件 APPLICATION CONDITION

溫度 (TEMP RANGE): -20°C ~ 200°C

壓力 (PRESSURE): 15 Kg/cm²

週速 (SPEED): 23m/sec

標準材質 STANDARD MATERIAL

金屬 (METAL): SUS316 / C-276

固定環 (SEAT RING): S-SIC / R-SIC / T.C

迴轉環 (ROTARY RING): R-SIC / S-SIC / T.C / CARBON

密封圈 (O-RING): TRP / KALREZ / VITON / OTHERS

組成元件 / COMPONENT DATA

NO	Description	Material	Quantity
1	SET SCREW	316	2
2	O-RING	VT	1
3	BELLOWS	C 276	1
4	CARBON	EK3205	1

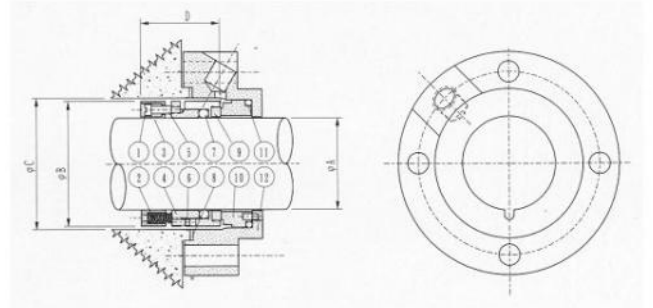
尺寸規格 / DIMENSION

A	B	C	D (AM 350)	D (HASC 276)
0.750	1.457	1.250	1.343	1.375
0.875	1.457	1.250	1.343	1.375
0.938	1.457	1.250	1.343	1.375
1.000	1.457	1.250	1.343	1.375
1.125	1.687	1.250	1.375	1.375
1.250	1.694	1.312	1.402	1.412
1.375	1.937	1.437	1.562	1.562
1.438	1.944	1.437	1.527	1.537
1.500	1.944	1.437	1.527	1.537
1.625	2.187	1.437	1.562	1.562
1.750	2.312	1.437	1.562	1.562
1.875	2.437	1.500	1.625	1.625
2.000	2.562	1.500	1.625	1.625
2.125	2.687	1.500	1.625	1.625
2.250	2.812	1.562	1.687	1.687
2.375	2.937	1.562	1.687	1.687
2.500	3.187	1.562	1.687	1.687
2.625	3.312	1.625	1.750	1.750
2.750	3.437	1.625	1.750	1.750
2.875	3.625	1.687	1.812	1.812
3.000	3.750	1.687	1.812	1.812
3.125	3.875	1.750	1.985	1.985
3.250	4.000	1.750	1.985	1.985
3.375	4.125	1.750	1.985	1.985
3.500	4.250	1.875	2.110	2.110
3.625	4.375	1.875	2.110	2.110
3.750	4.500	1.875	2.110	2.110
3.875	4.625	1.875	2.110	2.110
4.000	4.750	1.875	2.110	2.110
4.125	5.125	1.875	2.055	2.055
4.250	5.125	1.875	2.055	2.055
4.375	5.375	1.875	2.055	2.055
4.500	5.375	1.875	2.055	2.055
4.625	5.625	1.875	2.055	2.055
4.750	5.625	1.875	2.055	2.055

單位: 英吋 Unit: inch

MAC 1000 Series 1D

剖面圖 / PROFILE



應用產業 / APPLICATION FIELD

石化 / 煉鋼 / 生化 / 製藥 / 污水處理

PETROCHEMISTRY / STEEL MAKING /

BIOCHEMISTRY / PHARMACEUTICAL INDUSTRY /

SEWAGE SYSTEM

詳細說明 / DESCRIPTION

應用條件 APPLICATION CONDITION

溫度 (TEMP RANGE): - 30 °C ~ 330°C

壓力 (PRESSURE): 12Kg/cm²

週速 (SPEED): 23m/sec

標準材質 STANDARD MATERIAL

金屬 (METAL): SUS316 / Ti2 / C-276 / B2 / Zr702

固定環 (SEAT RING): S-SIC / R-SIC / T.C / CARBON

迴轉環 (ROTARY RING): R-SIC / S-SIC / T.C

密封圈 (O-RING): TRP / KALREZ / VITON / OTHERS / PTFE

尺寸規格 / DIMENSION

A	B	C	D
0.750	1.250	1.375	1.375
1.000	1.500	1.625	1.375
1.125	1.625	1.750	1.375
1.250	1.820	2.000	1.375
1.375	1.925	2.000	1.375
1.500	2.125	2.250	1.375
1.625	2.250	2.375	1.375
1.750	2.375	2.625	1.700
1.875	2.500	2.750	1.700
2.000	2.625	2.750	1.750
2.125	2.750	3.000	1.750
2.250	3.000	3.250	1.750
2.375	3.125	3.375	1.750
2.500	3.500	3.500	1.750
2.625	3.250	3.625	1.750
3.000	3.625	4.000	1.750

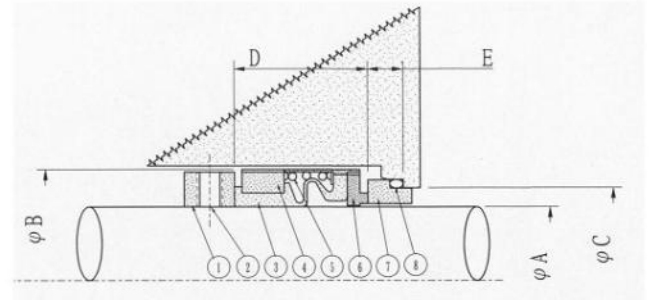
單位: 英吋 Unit: inch

組成元件 / COMPONENT DATA

NO	Description	Material	Quantity
1	RETAINER	316	1
2	SPRING	316	6
3	SET SCREW	316	3
4	WASHER	316	1
5	SET PIN	316	3
6	KNOCK PIN	316	3
7	O-RING	TRP	1
8	PACKING	PTFE	1
9	ROTARY	TC/SIC	1
10	STATIONARY	TC/SIC/CARBON	1
11	O-RING	TRP	1
12	COVER	316	1

MAC 1000 Series 5W

剖面圖 / PROFILE



應用產業 / APPLICATION FIELD

污水處理

SEWAGE SYSTEM

詳細說明 / DESCRIPTION

應用條件 APPLICATION CONDITION

溫度 (TEMP RANGE): -30°C ~ 100°C

壓力 (PRESSURE): 12Kg/cm²

週速 (SPEED): 23m/sec

標準材質 STANDARD MATERIAL

金屬 (METAL): SUS316 / Ti2 / C-276 / B2 / Zr702

固定環 (SEAT RING): S-SIC / R-SIC / T.C

迴轉環 (ROTARY RING): R-SIC / S-SIC / T.C / CARBON

密封囊 (BELLOWS): TRP / NBR / VITON / OTHERS

組成元件 / COMPONENT DATA

NO	Description	Material	Quantity
1	SET RING	316	1
2	SET SCREW	316	2
3	BELLOWS	NBR/VT	1
4	SPRING HOLDER	316	1
5	SPRING	316	1
6	ROTARY	EK2200	1
7	STATIONARY	TC/SIC/CM	1
8	O-RING	VT	1

尺寸規格 / DIMENSION

A	B	C	D	E
14	24	21	23.0	12.0
16	26	23	23.0	12.0
18	32	27	24.0	13.5
20	34	29	24.0	13.5
22	36	31	24.0	13.5
24	38	33	26.4	13.3
25	39	34	27.0	13.0
28	42	37	30.0	12.5
30	44	39	30.5	12.0
32	46	42	30.5	12.0
33	47	42	30.5	12.0
35	49	44	30.5	12.0
38	54	49	32.0	13.0
40	56	51	32.0	13.0
43	59	54	32.0	13.0
45	61	56	32.0	13.0
48	64	59	32.0	13.0
50	66	62	34.0	13.5
53	69	65	34.0	13.5
55	71	67	34.0	13.5
58	78	70	39.0	13.5
60	80	72	39.0	13.5
63	83	75	39.0	13.5
65	85	77	39.0	13.5
68	88	81	39.0	13.5
70	89	83	45.5	14.5
75	96	88	45.5	14.5
80	104	95	45.0	15.0
85	109	100	45.0	15.0
90	114	105	50.0	15.0
95	118	110	50.0	15.0
100	124	115	50.0	15.0

單位: 英寸

Unit: inch³

MAC 1000 Series 3W



應用產業 / APPLICATION FIELD

污水處理

SEWAGE SYSTEM

詳細說明 / DESCRIPTION

應用條件 APPLICATION CONDITION

溫度 (TEMP RANGE): - 30 °C ~ 80 °C

壓力 (PRESSURE): 12Kg/cm²

週速 (SPEED): 23m/sec

標準材質 STANDARD MATERIAL

金屬 (METAL): SUS316 / Ti2 / C-276 / B2 / Zr702

固定環 (SEAT RING): S-SIC / R-SIC / T.C / CERAMIC

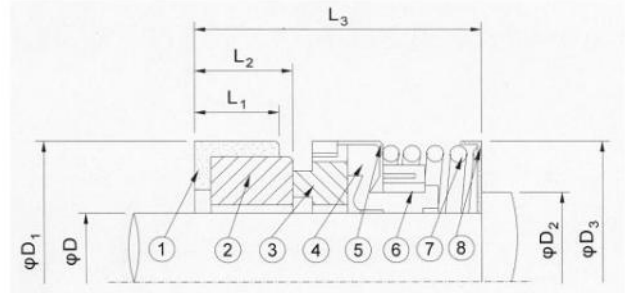
迴轉環 (ROTARY RING): R-SIC / S-SIC / T.C / CARBON

密封囊 (BELLOWS): TRP / NBR / VITON / OTHERS / PTFE

組成元件 / COMPONENT DATA

NO	Description	Material	Quantity
1	CUP GASKET	NBR/VITON	1
2	MATING RING	CM/SIC/TC	1
3	SEAL RING	CB/SIC/TC	1
4	RUBBER DIAPHRAGM	NBR/VITON	1
5	RETAINER	304SS	1
6	DRIVE RING	304SS	1
7	COIL SPRING	304SS	1
8	SPRING HOLDER	304SS	1

剖面圖 / PROFILE



尺寸規格 / DIMENSION

D	D1	D2	D3	L1	L2	L3
0.375	22.22	12.70	20.63	6.350	7.925	28.575
0.500	25.40	15.88	23.80	6.350	7.925	28.575
0.625	31.75	19.05	26.97	8.712	10.287	28.575
0.750	34.93	22.25	30.15	8.712	10.287	28.575
0.875	38.10	25.40	33.33	8.712	10.287	34.100
1.000	41.28	28.58	42.85	9.525	11.100	36.500
0.875	44.45	31.75	46.03	9.525	11.100	38.700
0.750	47.63	34.93	49.20	9.525	11.100	38.700
0.625	50.80	38.10	52.38	9.525	11.100	39.680
0.500	53.98	41.28	55.55	9.525	11.100	39.680
0.375	60.33	44.45	63.50	11.100	12.700	47.625
0.250	63.50	47.63	66.68	11.100	12.700	47.625
0.125	66.68	50.80	69.85	11.100	12.700	50.800
2.000	69.85	53.98	73.03	11.100	12.700	50.800

單位: 英寸

Unit : inch³

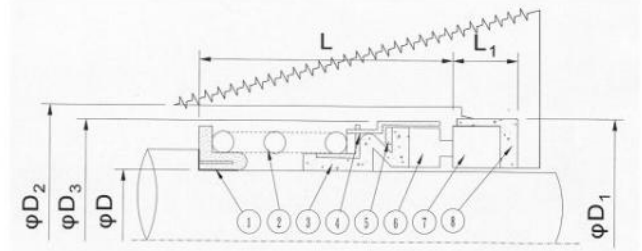
D	D1	D2	D3	L1	L2	L3
15	28	17.5	27	5	6.5	25
16	32	18.5	27	6	7.0	27
20	38	23.0	32	6	8.0	28
22	40	25.0	34	6	8.5	28
25	44	28.0	43	7	8.5	29
28	46	31.0	46	7	8.5	30
30	50	33.0	49	7	9.0	31
32	54	35.0	49	7	9.0	33
35	58	38.0	53	8	10.5	36
38	60	41.0	56	8	10.5	37
40	64	43.0	64	8	11.0	38
45	66	48.0	67	8	11.0	40
50	72	53.0	73	8	11.0	42

單位: 公分

Unit : mm

MAC 1000 Series 1W

剖面圖 / PROFILE



應用產業 / APPLICATION FIELD

污水處理

SEWAGE SYSTEM

尺寸規格 / DIMENSION

D	D1	D2	D3	L	L1
0.625	1.250	1.343	1.218	1.312	0.406
0.750	1.375	1.468	1.343	1.312	0.406
0.875	1.500	1.656	1.531	1.375	0.406
1.000	1.625	1.750	1.625	1.562	0.438
1.125	1.750	1.870	1.745	1.625	0.438
1.250	1.875	2.000	1.875	1.625	0.438
1.375	2.000	2.125	2.000	1.687	0.438
1.500	2.125	2.250	2.125	1.687	0.438
1.625	2.375	2.500	2.375	2.000	0.500
1.750	2.500	2.625	2.500	2.000	0.500
1.875	2.625	2.750	2.625	2.125	0.500
2.000	2.750	2.937	2.812	2.125	0.500
2.125	3.000	3.125	3.000	2.375	0.562
2.250	3.125	3.250	3.125	3.125	0.562
2.375	3.250	3.375	3.250	3.250	0.562
2.500	3.375	3.500	3.375	3.375	0.562
2.625	3.375	3.375	3.625	3.625	0.625
2.750	3.500	3.875	3.750	3.750	0.625
2.875	3.750	4.000	3.875	3.875	0.625
3.000	3.875	4.187	4.062	4.062	0.625
3.125	4.000	4.437	4.250	4.250	0.781
3.250	4.125	4.562	4.375	4.375	0.781
3.375	4.250	4.687	4.500	4.500	0.781
3.500	4.375	4.812	4.625	4.625	0.781
3.625	4.500	4.937	4.750	4.750	0.781
3.750	4.625	5.620	4.875	4.875	0.781
3.875	4.750	5.187	5.000	5.000	0.781
4.000	4.875	5.312	5.125	5.125	0.781

詳細說明 / DESCRIPTION

應用條件 APPLICATION CONDITION

溫度 (TEMP RANGE): - 30°C ~ 120°C

壓力 (PRESSURE): 12Kg/cm²

週速 (SPEED): 23m/sec

標準材質 STANDARD MATERIAL

金屬 (METAL): SUS316 / Ti2 / C-276 / B2 / Zr702

固定環 (SEAT RING): S-SIC / R-SIC / T.C / CARBON

迴轉環 (ROTARY RING): R-SIC / S-SIC / T.C / CARBON

密封囊 (BELLOWS): TRP / NBR / VITON / SILICON / OTHERS / PTFE

組成元件 / COMPONENT DATA

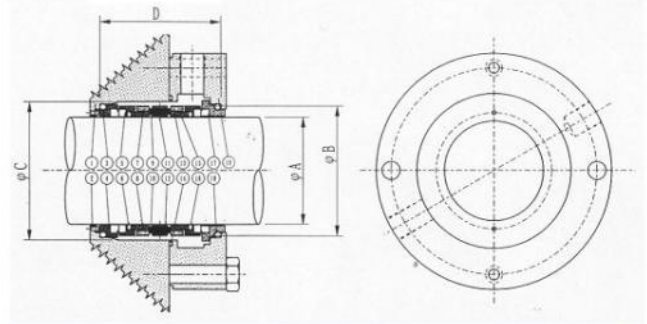
NO	Description	Material	Quantity
1	SPRING HOLDER	316	1
2	SPRING	316	1
3	BELLOWS	NBR/VT	1
4	HOLDER	316	1
5	WASHER	316	1
6	ROTARY	EK2200	1
7	STATIONARY	SIC/CM/TC	1
8	CUP	VT	1

單位: 英吋

Unit: inch^{''}

MAC 1000 Series 1PP

剖面圖 / PROFILE



應用產業 / APPLICATION FIELD

石化 / 煉鋼 / 生化 / 製藥 / 污水處理

PETROCHEMISTRY / STEEL MAKING /

BIOCHEMISTRY / PHARMACEUTICAL INDUSTRY /

SEWAGE SYSTEM

詳細說明 / DESCRIPTION

應用條件 APPLICATION CONDITION

溫度 (TEMP RANGE): - 30°C ~ 330°C

壓力 (PRESSURE): 12Kg/cm²

週速 (SPEED): 23m/sec

標準材質 STANDARD MATERIAL

金屬 (METAL): SUS316 / Ti2 / C-276 / B2 / Zr702

固定環 (SEAT RING): S-SIC / R-SIC / T.C / CARBON

迴轉環 (ROTARY RING): R-SIC / S-SIC / T.C

密封圈 (O-RING): TRP / KALREZ / VITON /
OTHERS / PTFE

尺寸規格 / DIMENSION

A	B	C	D
22	36	80	61
24	38	81	61
25	39	81	61
28	42	81	61
30	44	81	61
32	46	81	61
33	47	81	61
35	49	81	61
38	54	87	61
40	56	87	61
43	59	91	65
45	61	91	65
48	64	91	65
50	66	96	65
53	69	96	65
55	71	96	65
58	78	97	65
60	80	97	65
63	83	97	65
65	85	97	65
68	88	97	65
70	90	103	65
75	95	105	67
80	100	105	67
85	105	105	67
90	110	105	67
95	115	105	67
100	120	105	67

單位: 英寸

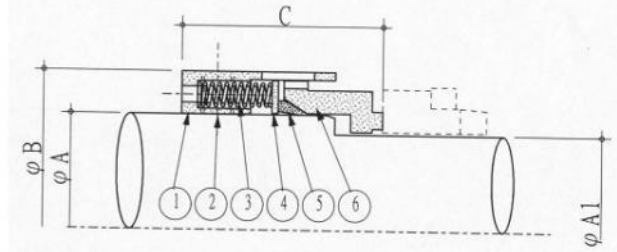
Unit: inch

組成元件 / COMPONENT DATA

NO	Description	Material	Quantity
1	HASING	316	1
2	CONTACT PLATE	316	1
3	O-RING	TRP	1
4	DOWN STATIONARY	TC/SIC/CB	1
5	DOWN ROTARY	TC/SIC	1
6	O-RING	TRP	1
7	CONTACT PIN	316	3
8	WASHER	316	1
9	SPRING	316	12
10	CONTACT PIN	316	6
11	SET SCREW	316	4
12	RETAINER	316	1
13	CONTACT PIN	316	3
14	O-RING	TRP	1
15	WASHER	316	1
16	O-RING	TRP	1
17	UP ROTARY	TC/SIC	1
18	UP STATIONARY	TC/SIC/CB	1
19	O-RING	TRP	1
20	COVER	316	1

MAC 1000 Series 1N

剖面圖 / PROFILE



應用產業 / APPLICATION FIELD

石化 / 煉鋼 / 生化 / 製藥 / 污水處理

PETROCHEMISTRY / STEEL MAKING /

BIOCHEMISTRY / PHARMACEUTICAL INDUSTRY /

SEWAGE SYSTEM

詳細說明 / DESCRIPTION

應用條件 APPLICATION CONDITION

溫度 (TEMP RANGE): - 30°C ~ 80°C

壓力 (PRESSURE): 12Kg/cm²

週速 (SPEED): 23m/sec

標準材質 STANDARD MATERIAL

金屬 (METAL): SUS316 / Ti2 / C-276 / B2 / Zr702

固定環 (SEAT RING): S-SIC / R-SIC / T.C

迴轉環 (ROTARY RING): R-SIC / S-SIC / T.C / CARBON

密封圈 (O-RING): PTFE / KALREZ / VITON / OTHERS

組成元件 / COMPONENT DATA

NO	Description	Material	Quantity
1	RETAINER	316	1
2	SET SCREW	316	2
3	SPRING	316	1
4	WASHER	316	1
5	WEDGE	PTFE	1
6	ROTARY	TC/SIC/CB	1

尺寸規格 / DIMENSION

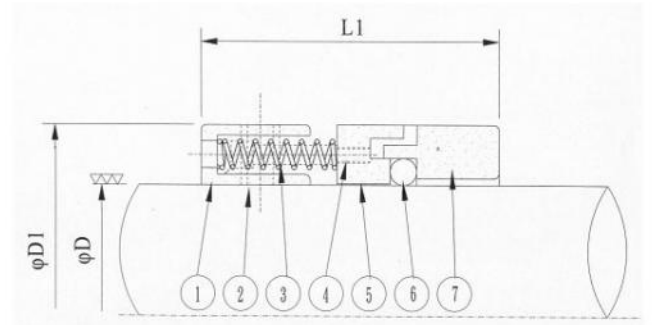
A	A1	B	C
0.875	1.000	1.562	1.312
1.000	1.125	1.687	1.375
1.125	1.250	1.875	1.375
1.125	1.375	2.000	1.437
1.250	1.500	2.125	1.437
1.375	1.625	2.375	1.750
1.500	1.750	2.500	1.750
1.625	1.875	2.625	1.750
1.750	2.000	2.750	1.750
1.875	2.125	3.000	2.062
2.000	2.250	3.125	2.062
2.125	2.375	3.250	2.062
2.250	2.500	3.375	2.062
2.375	2.650	3.500	2.062
2.500	2.750	3.625	2.062
2.625	2.875	3.750	2.062
2.750	3.000	3.812	2.062
2.875	3.125	3.937	2.062
3.000	3.250	4.125	2.062
3.125	3.375	4.250	2.062
3.250	3.500	4.375	2.062
3.375	3.625	4.500	2.062
3.500	3.750	4.625	2.062
3.625	3.875	4.750	2.062
3.750	4.000	4.875	2.062
3.875	4.125	5.000	2.062
4.000	4.250	5.250	2.062
4.125	4.375	5.375	2.062
4.250	4.500	5.500	2.062
4.375	4.625	5.625	2.062
4.500	4.750	5.750	2.062
4.625	4.875	5.875	2.062
4.750	5.000	6.000	2.062

單位: 英吋

Unit: inch

MAC 1000 Series 1L

剖面圖 / PROFILE



應用產業 / APPLICATION FIELD

石化 / 煉鋼 / 生化 / 製藥 / 污水處理

PETROCHEMISTRY / STEEL MAKING /

BIOCHEMISTRY / PHARMACEUTICAL INDUSTRY /

SEWAGE SYSTEM

詳細說明 / DESCRIPTION

應用條件 APPLICATION CONDITION

溫度 (TEMP RANGE): -30°C ~ 330°C

壓力 (PRESSURE): 12Kg/cm²

週速 (SPEED): 23m/sec

標準材質 STANDARD MATERIAL

金屬 (METAL): SUS316 / Ti2 / C-276 / B2 / Zr702

固定環 (SEAT RING): S-SIC / R-SIC / T.C / CARBON

迴轉環 (ROTARY RING): R-SIC / S-SIC / T.C

密封圈 (O-RING): TRP / KALREZ / VITON / OTHERS / PTFE

組成元件 / COMPONENT DATA

NO	Description	Material	Quantity
1	RETAINER	316	1
2	SET SCREW	316	1
3	SPRING	301	6
4	PIN	316	2
5	WASHER	316	1
6	O-RING	TRP	1
7	ROTARY	TC/SIC	1

尺寸規格 / DIMENSION

D	D 1	L 1
20	34	35
22	36	35
24	38	35
25	39	35
28	42	35
30	44	35
32	46	35
33	47	35
35	49	35
38	54	38
40	56	38
42	58	38
43	59	38
45	61	38
48	64	38
50	66	39
52	68	40
53	69	40
55	71	40
58	76	41
60	78	41
62	80	41
63	81	41
65	83	41
68	86	41
70	90	42
75	95	42
80	100	42
85	105	43
90	110	45
95	115	45
100	120	45
105	127	45
110	132	45

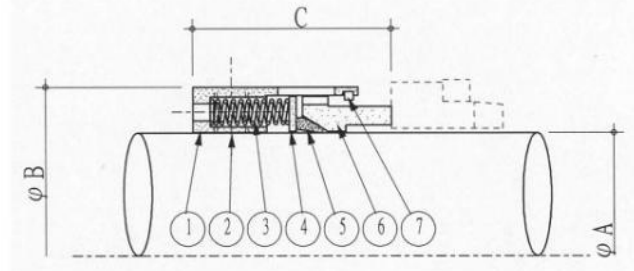
單位: 英吋

Unit: inch^{''}

MAC 1000 Series 1J



剖面圖 / PROFILE



應用產業 / APPLICATION FIELD

石化 / 煉鋼 / 生化 / 製藥 / 污水處理

PETROCHEMISTRY / STEEL MAKING /

BIOCHEMISTRY / PHARMACEUTICAL INDUSTRY /

SEWAGE SYSTEM

詳細說明 / DESCRIPTION

應用條件 APPLICATION CONDITION

溫度 (TEMP RANGE): - 30°C ~ 80°C

壓力 (PRESSURE): 12 Kg/cm²

週速 (SPEED): 23m/sec

標準材質 STANDARD MATERIAL

金屬 (METAL): SUS316 / Ti2 / C-276 / B2 / Zr702

固定環 (SEAT RING): S-SIC / R-SIC / T.C

迴轉環 (ROTARY RING): R-SIC / S-SIC / T.C /
CARBON

密封圈 (WEDGE): PTFE

尺寸規格 / DIMENSION

A	B	C
0.500	0.937	0.937
0.625	1.062	0.937
0.750	1.187	0.937
0.875	1.312	0.937
1.000	1.437	1.000
1.125	1.562	1.000
1.250	1.687	1.000
1.375	1.937	1.375
1.500	1.937	1.125
1.625	2.250	1.156
1.750	2.312	1.375
1.875	2.500	1.375
2.000	2.625	1.375
2.125	2.812	1.687
2.250	2.843	1.375
2.375	3.000	1.687
2.500	3.125	1.687
2.625	3.250	1.687
2.750	3.375	1.687
2.875	3.500	1.687
3.000	3.625	1.687
3.125	3.750	1.687
3.250	3.875	1.687
3.375	4.000	1.687
3.500	4.125	1.687
3.625	4.250	1.687
3.750	4.375	1.687
3.875	4.500	1.687
4.000	4.625	1.687

單位: 英吋

Unit: inch"

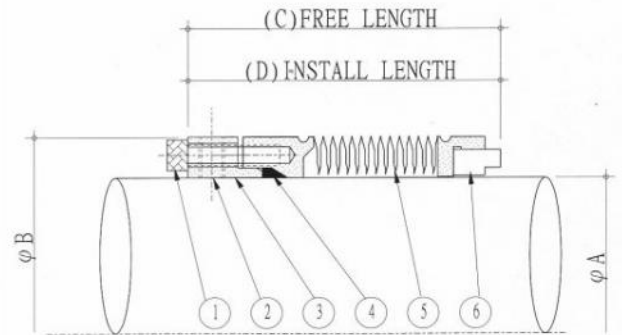
組成元件 / COMPONENT DATA

NO	Description	Material	Quantity
1	RETAINER	316	1
2	SET SCREW	316	2
3	SPRING	316	1
4	WASHER	316	1
5	WEDGE	PTFE	1
6	ROTARY	CARBON	1
7	C-RING	316	1

MAC 1000 Series 1F



剖面圖 / PROFILE



應用產業 / APPLICATION FIELD

石化 / 煉鋼 / 生化 / 製藥 / 污水處理

PETROCHEMISTRY / STEEL MAKING /

BIOCHEMISTRY / PHARMACEUTICAL INDUSTRY /

SEWAGE SYSTEM

詳細說明 / DESCRIPTION

應用條件 APPLICATION CONDITION

溫度 (TEMP RANGE): -20°C ~ 200°C

壓力 (PRESSURE): 15 Kg/cm²

週速 (SPEED): 23 m/sec

標準材質 STANDARD MATERIAL

金屬 (METAL): SUS316 / C-276

固定環 (SEAT RING): S-SIC / R-SIC / T.C / CARBON

迴轉環 (ROTARY RING): R-SIC / S-SIC / T.C / CARBON

密封圈 (O-RING): CARBON

尺寸規格 / DIMENSION

A	B	C	D
0.750	1.457	1.795	1.668
0.938	1.500	1.795	1.668
1.000	1.562	1.795	1.668
1.125	1.689	1.690	1.543
1.250	1.694	1.795	1.668
1.375	1.940	1.825	1.700
1.500	2.170	1.825	1.700
1.625	2.295	1.825	1.700
1.750	2.420	1.825	1.700
1.875	2.545	1.825	1.700
2.000	2.670	1.825	1.700
2.125	2.795	1.825	1.700
2.250	2.920	1.950	1.825
2.375	3.045	1.950	1.825
2.500	3.187	1.960	1.825
2.625	3.312	1.960	1.825
2.750	3.437	1.960	1.825
2.875	3.625	1.960	1.825
3.000	3.750	1.960	1.825
3.125	3.875	1.960	1.825
3.250	4.000	1.960	1.825
3.375	4.125	1.960	1.825
3.500	4.250	1.960	1.825
3.625	4.375	1.960	1.825
3.750	4.500	1.960	1.825
3.875	4.625	1.960	1.825
4.000	4.750	1.960	1.825

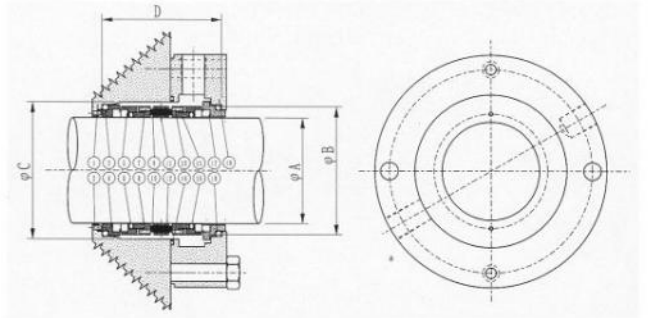
單位: 英吋 Unit: inch

組成元件 / COMPONENT DATA

NO	Description	Material	Quantity
1	SOCKET SCREW	316	6
2	SET SCREW	316	3
3	RETAINER	316	1
4	PACKING	CARBON	1
5	BELLOWS	C 276	1
6	FLOATING	EK 3025	1

MAC 1000 Series 1DD

剖面圖 / PROFILE



應用產業 / APPLICATION FIELD

石化 / 煉鋼 / 生化 / 製藥 / 污水處理

PETROCHEMISTRY / STEEL MAKING /

BIOCHEMISTRY / PHARMACEUTICAL INDUSTRY /

SEWAGE SYSTEM

詳細說明 / DESCRIPTION

應用條件 APPLICATION CONDITION

溫度 (TEMP RANGE): - 30°C ~ 330°C

壓力 (PRESSURE): 12Kg/cm²

週速 (SPEED): 23m/sec

標準材質 STANDARD MATERIAL

金屬 (METAL): SUS316 / Ti2 / C-276 / B2 / Zr702

固定環 (SEAT RING): S-SIC / R-SIC / T.C / CARBON

迴轉環 (ROTARY RING): R-SIC / S-SIC / T.C

密封圈 (O-RING): TRP / KALREZ / VITON / OTHERS / PTFE

尺寸規格 / DIMENSION

A	B	C	D
0.750	1.250	1.375	3.187
1.000	1.500	1.625	3.187
1.125	1.625	1.750	3.187
1.250	1.820	2.000	3.187
1.375	1.925	2.000	3.187
1.500	2.125	2.250	3.187
1.625	2.250	2.375	3.187
1.750	2.375	2.625	3.500
1.875	2.500	2.750	3.500
2.000	2.625	2.750	3.812
2.125	2.750	3.000	3.812
2.250	3.000	3.250	3.812
2.375	3.125	3.375	3.812
2.500	3.500	3.500	3.812
2.625	3.500	3.625	3.812
3.000	3.625	4.000	4.000

單位: 英吋

Unit : inch

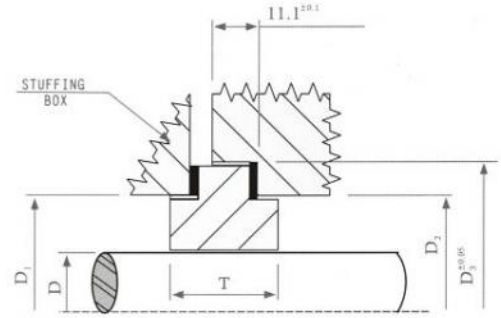
組成元件 / COMPONENT DATA

NO	Description	Material	Quantity
1	HASING	316	1
2	CONTACT PLATE	316	1
3	O-RING	TRP	1
4	DOWN STATIONARY	TC/SIC/CB	1
5	DOWN ROTARY	TC/SIC	1
6	O-RING	TRP	1
7	CONTACT PIN	316	3
8	WASHER	316	1
9	SPRING	316	12
10	CONTACT PIN	316	6
11	SET SCREW	316	4
12	RETAINER	316	1
13	CONTACT PIN	316	3
14	O-RING	TRP	1
15	WASHER	316	1
16	O-RING	TRP	1
17	UP ROTARY	TC /SIC	1
18	UP STATIONARY	TC/SIC/CB	1
19	O-RING	TRP	1
20	COVER	316	1

STYLE M SEAT RING

剖面圖 / PROFILE

PRODUCT



尺寸規格 / DIMENSION

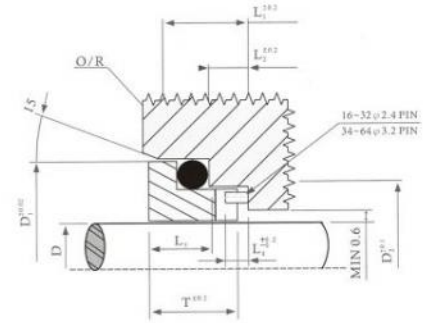
-D-	-D ₁ -	-D ₂ -	-D ₃ -	-T-	-D-	-D ₁ -	-D ₂ -	-D ₃ -	-T-
0.750	1.437	1.500	1.843	.750	19.05	36.50	38.10	46.81	19.05
0.875	1.562	1.625	1.968	.750	22.23	39.67	41.28	49.99	19.05
1.000	1.625	1.687	1.937	.750	25.40	41.28	42.85	49.20	19.05
1.125	1.750	1.812	2.156	.750	28.58	44.45	46.02	54.76	19.05
1.250	2.000	2.062	2.406	.750	31.75	50.80	52.37	61.11	19.05
1.375	2.000	2.062	2.406	.750	34.93	50.80	52.37	61.11	19.05
1.500	2.250	2.312	2.781	.750	38.10	57.15	58.72	70.64	19.05
1.625	2.438	2.500	2.906	.750	41.28	61.93	63.50	73.81	19.05
1.750	2.500	2.562	2.906	.750	44.45	63.50	65.07	73.81	19.05
1.875	2.625	2.687	3.156	.750	47.63	66.68	68.25	80.16	19.05
2.000	2.750	2.812	3.406	.875	50.80	69.85	71.42	86.51	22.23
2.125	2.875	2.937	3.406	.875	53.98	73.03	74.60	86.51	22.23
2.250	3.250	3.312	3.906	.875	57.15	82.55	84.12	99.21	22.23
2.375	3.375	3.437	4.031	.875	60.33	85.73	87.30	102.4	22.23
2.500	3.500	3.562	4.156	.875	63.50	88.90	90.47	105.5	22.23
2.625	3.625	3.687	4.281	.875	66.68	92.08	93.65	108.7	22.23
2.750	3.750	3.812	4.406	.875	69.85	95.25	96.82	111.9	22.23
2.875	3.875	3.875	4.531	.875	73.03	98.43	100.1	115.1	22.23
3.000	4.000	4.000	4.658	.875	76.20	101.6	103.1	118.3	22.23

STYLE L SEAT RING

PRODUCT



剖面圖 / PROFILE



尺寸規格 / DIMENSION

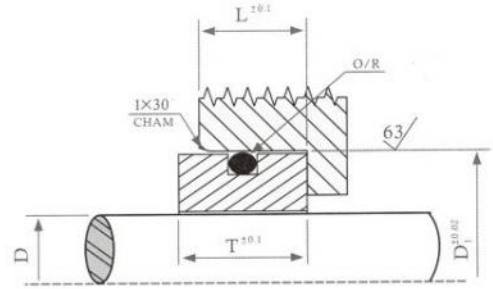
-D-	-D1-	-D2-	-D3-	-T-
0.750	1.437	1.500	1.843	.750
0.875	1.562	1.625	1.968	.750
1.000	1.625	1.687	1.937	.750
1.125	1.750	1.812	2.156	.750
1.250	2.000	2.062	2.406	.750
1.375	2.000	2.062	2.406	.750
1.500	2.250	2.312	2.781	.750
1.625	2.438	2.500	2.906	.750
1.750	2.500	2.562	2.906	.750
1.875	2.625	2.687	3.156	.750
2.000	2.750	2.812	3.406	.875
2.125	2.875	2.937	3.406	.875
2.250	3.250	3.312	3.906	.875
2.375	3.375	3.437	4.031	.875
2.500	3.500	3.562	4.156	.875
2.625	3.625	3.687	4.281	.875
2.750	3.750	3.812	4.406	.875
2.875	3.875	3.875	4.531	.875
3.000	4.000	4.000	4.658	.875

-D-	-D1-	-D2-	-D3-	-T-
19.05	36.50	38.10	46.81	19.05
22.23	39.67	41.28	49.99	19.05
25.40	41.28	42.85	49.20	19.05
28.58	44.45	46.02	54.76	19.05
31.75	50.80	52.37	61.11	19.05
34.93	50.80	52.37	61.11	19.05
38.10	57.15	58.72	70.64	19.05
41.28	61.93	63.50	73.81	19.05
44.45	63.50	65.07	73.81	19.05
47.63	66.68	68.25	80.16	19.05
50.80	69.85	71.42	86.51	22.23
53.98	73.03	74.60	86.51	22.23
57.15	82.55	84.12	99.21	22.23
60.33	85.73	87.30	102.4	22.23
63.50	88.90	90.47	105.5	22.23
66.68	92.08	93.65	108.7	22.23
69.85	95.25	96.82	111.9	22.23
73.03	98.43	100.1	115.1	22.23
76.20	101.6	103.1	118.3	22.23

STYLE H SEAT RING

剖面圖 / PROFILE

PRODUCT



尺寸規格 / DIMENSION

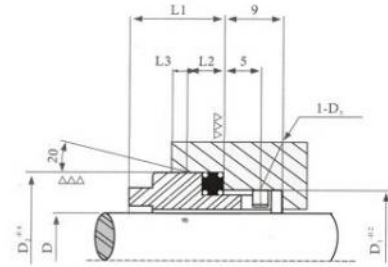
-D-	-D -	-T-	-L-	O/R
0.750	1.375	.406	.344	216
0.875	1.500	.406	.344	218
0.937	1.562	.437	.375	219
1.000	1.625	.437	.375	220
1.125	1.750	.437	.375	222
1.250	1.875	.437	.375	223
1.375	2.000	.437	.375	224
1.500	2.215	.437	.375	225
1.625	2.375	.500	.437	227
1.750	2.500	.500	.437	228
1.875	2.625	.500	.437	229
2.000	2.750	.500	.437	230
2.125	3.000	.562	.500	232
2.250	3.125	.562	.500	233
2.375	3.250	.562	.500	234
2.500	3.375	.562	.500	235
2.625	3.375	.625	.562	235
2.750	3.500	.625	.562	236
2.875	3.750	.625	.562	238
3.000	3.875	.625	.562	239
3.125	4.000	.781	.781	240
3.250	4.125	.781	.781	241
3.375	4.250	.781	.781	242
3.500	4.375	.781	.781	243
3.625	4.500	.781	.781	244
3.750	4.625	.781	.781	245
3.875	4.750	.781	.781	246
4.000	4.875	.781	.781	247

-D-	-D -	-T-	-L-	O/R
19.05	34.93	10.31	8.74	216
22.23	38.10	10.31	8.74	218
23.80	39.67	11.10	9.53	219
25.40	41.28	11.10	9.53	220
28.58	44.45	11.10	9.53	222
31.75	47.63	11.10	9.53	223
34.93	50.80	11.10	9.53	224
38.10	53.98	11.10	9.53	225
41.28	60.33	12.70	11.10	227
44.45	63.50	12.70	11.10	228
47.63	66.68	12.70	11.10	229
50.80	69.85	12.70	11.10	230
53.98	76.20	14.27	12.70	232
57.15	79.38	14.27	12.70	233
60.33	82.55	14.27	12.70	234
63.50	85.73	14.27	12.70	235
66.68	85.73	15.88	14.27	235
69.85	88.90	15.88	14.27	236
73.03	95.25	15.88	14.27	238
76.20	98.43	15.88	14.27	239
79.38	101.6	19.83	18.33	240
82.55	104.8	19.83	18.33	241
85.73	108.0	19.83	18.33	242
88.90	111.1	19.83	18.33	243
92.08	114.3	19.83	18.33	244
95.25	117.5	19.83	18.33	245
98.43	120.7	19.83	18.33	246
101.6	123.8	19.83	18.33	247

STYLE A SEAT RING

剖面圖 / PROFILE

PRODUCT



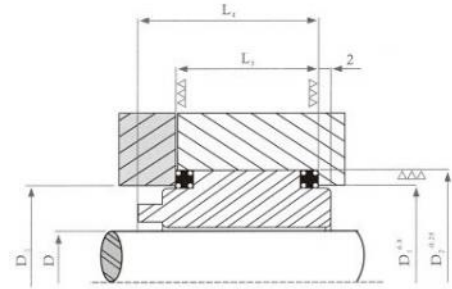
尺寸規格 / DIMENSION

D	D ₁	D ₂	D ₃	L ₁	L ₂	L ₃
20	29	35	3	13	5	2
22	31	37	3	13	5	2
24	33	39	3	13	5	2
25	34	40	3	13	5	2
28	37	43	3	13	5	2
30	39	45	3	13	5	2
32	42	48	3	13	5	2
33	42	48	3	13	5	2
35	44	50	3	13	5	2
38	50	56	4	13	5	2
40	52	58	4	13	5	2
43	55	61	4	13	5	2
45	57	63	4	13	5	2
48	60	66	4	13	5	2
50	62	68	4	13	5	2
53	65	71	4	13	5	2
55	67	73	4	13	5	2
58	70	79	4	13	5	2
60	72	81	4	16	7	2.5
63	75	74	4	16	7	2.5
65	77	86	4	16	7	2.5
68	81	90	4	16	7	2.5
70	83	92	4	16	7	2.5
75	88	97	4	16	7	2.5
80	96	105	4	16	7	2.5
85	101	110	4	16	7	2.5
90	106	115	4	16	7	2.5
95	111	120	4	16	7	2.5
100	116	125	4	16	7	2.5

STYLE E SEAT RING

剖面圖 / PROFILE

PRODUCT



尺寸規格 / DIMENSION

D	D ₁	D ₂	L ₃	L ₄
20	36	42	23	18
22	38	44	23	18
24	40	46	23	18
25	41	47	23	18
28	44	50	23	18
30	46	52	23	18
32	48	54	23	18
33	49	55	23	18
35	51	57	23	18
38	58	64	25	20
40	60	66	25	20
42	62	68	25	20
43	63	69	25	20
45	65	71	25	20
48	68	74	25	20
50	70	76	25	20
52	72	78	25	20
53	73	79	25	20
55	75	81	25	20
58	83	89	28	22
60	85	91	28	22
62	87	93	28	22
63	88	94	28	22
65	90	96	28	22
68	93	99	30	24
70	95	101	30	24
75	104	110	30	24
80	109	115	31	25
85	114	120	31	25
90	119	125	31	25
95	124	130	31	25
100	129	135	31	25
105	134	140	31	25
110	139	145	31	25

各國專利 PATENTS

世界各國專利 / Worldwide Patent Certificates

歷年來，柏卡軸封致力於改良機械軸封類產品，依照客戶不同產業、不同製程的需求，設計改良出最合適的機械軸封產品，目前榮獲台灣、美國、中國大陸等地的產品專利。今後，柏卡軸封將繼續秉持一貫的信念，提供客戶最優質、最耐用的機械軸封。

For years, Pocar Seal is devoted to improve the products of mechanical seals. In accordance with different processes and various industries, we create the most suitable mechanical seals for our customers. Pocar Seal has patented several inventions worldwide such as Taiwan, China and United States. For the Future, Pocar Seal will keep the promise to provide the best and most durable mechanical seals for different applications.

中國專利 / CHINA



改良的離心泵外裝平衡式軸封結構

Improved Structure Of External Balanced Mechanical Seals For Centrifugal Pumps



改良的離心泵雙軸封結構

Improved Structure Of Double Seals For Centrifugal Pumps



離心泵外裝式雙軸封結構

External Double Seals Structure For Centrifugal Pumps

美國專利 / USA



Sealing Device For A Rotary Shaft

中華民國專利 / TAIWAN



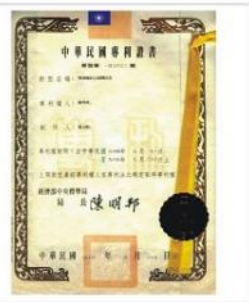
幫浦軸封之結構改良
Structural Improvement Of Mechanical Seals For Pumps



幫浦軸封之結構改良(一)
Structural Improvement Of Mechanical Seals For Pumps (I)



離心幫浦雙軸封結構改良
Structural Improvement Of Double Seals For Centrifugal Pumps



離心幫浦之軸封結構改良
Structural Improvement Of Mechanical Seals For Centrifugal Pumps



離心幫浦外裝平衡式軸封結構
Structure Of External Balanced Mechanical Seals For Centrifugal Pumps



離心幫浦外裝式雙軸封結構
Structure Of External Double Seals For Centrifugal Pumps

其他元件 Other Component

Other Component



PTFE 次填封元件 PTFE Components



CARBON 密合環 CARBON Seal Ring



SIC軸承組 SIC Bearing Assembly



耐蝕元件 Corrosion-Resisting Components

Other Component



SIC耐磨環軸承元件 SIC Wear-Resisting Bearing



TC SIC 軸封元件 TC SIC Mechanical Seals Components



SIC軸封元件 SIC Mechanical Seals Components



無軸封泵浦元件 Non-Seal Pumps Componentes

Other Component

POSEAR

Components of Special Metals



無軸封泵浦元件 Non-Sea Pump Components (1)



無軸封泵浦元件 Non-Seal Pump Components (2)



無軸封泵浦元件 Non-Seal Pump Components (3)



軸承元件 Bearing (1)



軸承元件 Bearing (2)



泵葉 Impeller



攪拌機軸心 Agitator Shaft



法蘭元件 Flange



球閥 Globe Valve



機械軸封元件 Mechanical Seals Components

O 型環 O - RINGS



詳細說明 / DESCRIPTION

柏卡軸封目前提供各種廠牌O型環，如：

CHEMRAZ、TRP、KALREZ、VITON...等，
可依客戶需求選擇最合適的O型環。

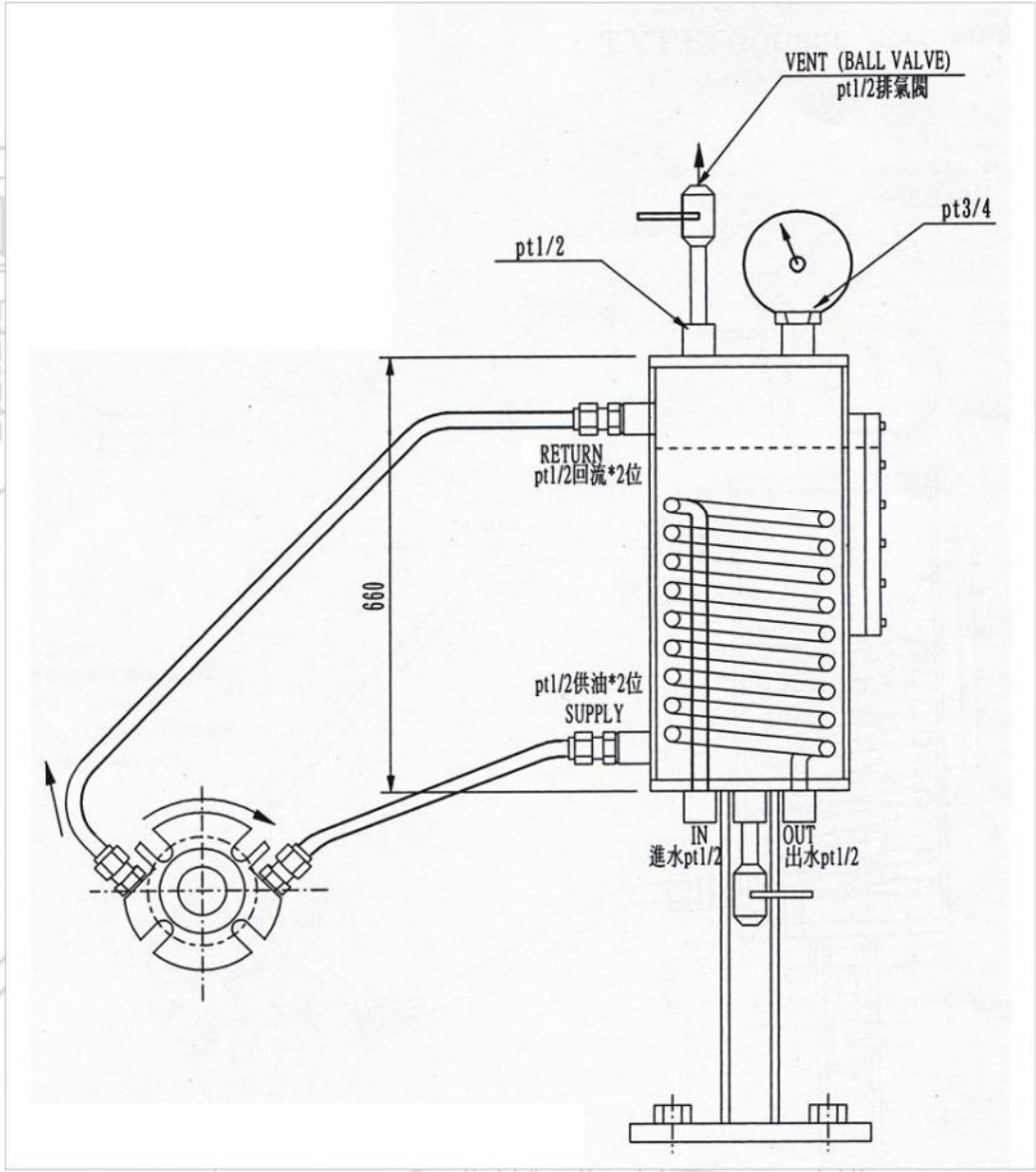
Pocar Seal provides different brands of
O-rings, such as CHEMRAZ, TRP, KALREZ
, VITON, etc.

According to customers' requests and
needs, we can help customers choose the
most suitable O-rings for application.

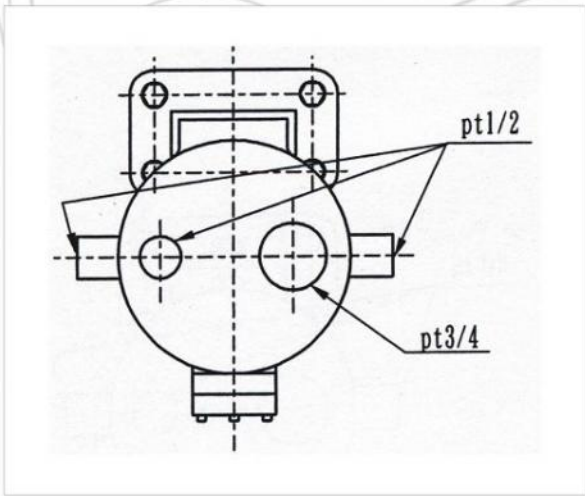
O型環尺寸規格表 / O-Ring Universal Dimension

AS-568A	Size	AS-568A	Size	AS-568A	Size	AS-568A	Size	AS-568A	Size	AS-568A	Size
001	0.74 * 1.02	112	12.37 * 2.62	172	209.22 * 2.66	254	139.3 * 3.53	338	78.74 * 5.33	403	68 * 6.99
002	1.07 * 1.27	113	13.95 * 2.62	173	215.77 * 2.66	255	142.47 * 3.53	339	81.92 * 5.33	404	73 * 6.99
003	1.42 * 1.52	114	15.54 * 2.62	174	221.92 * 2.66	256	145.65 * 3.53	340	85.09 * 5.33	405	79 * 6.99
004	1.78 * 1.78	115	17.12 * 2.62	175	228.27 * 2.66	257	148.82 * 3.53	341	88.27 * 5.33	406	83 * 6.99
005	2.57 * 1.78	116	18.72 * 2.62	176	234.62 * 2.66	258	152 * 3.53	342	91.44 * 5.33	407	89 * 6.99
006	2.9 * 1.78	117	20.29 * 2.62	177	240.97 * 2.66	259	158.35 * 3.53	343	94.62 * 5.33	408	94 * 6.99
007	3.68 * 1.78	118	21.9 * 2.62	178	247.32 * 2.66	260	164.7 * 3.53	344	97.8 * 5.33	409	99 * 6.99
008	4.47 * 1.78	119	23.47 * 2.62	201	4.34 * 3.53	261	171.05 * 3.53	345	100.96 * 5.33	410	101 * 6.99
009	5.28 * 1.78	120	25.07 * 2.62	202	5.94 * 3.53	262	177.4 * 3.53	346	104.14 * 5.33	411	106 * 6.99
010	6.07 * 1.78	121	26.65 * 2.62	203	7.52 * 3.53	263	183.75 * 3.53	347	107.32 * 5.33	425	113.67 * 6.99
011	7.65 * 1.78	122	28.24 * 2.62	204	9.12 * 3.53	264	190.1 * 3.53	348	110.49 * 5.33	426	116.84 * 6.99
012	9.25 * 1.78	123	29.82 * 2.62	205	10.69 * 3.53	265	196.45 * 3.53	349	113.67 * 5.33	427	120.02 * 6.99
013	10.82 * 1.78	124	31.42 * 2.62	206	12.29 * 3.53	266	202.8 * 3.53	350	116.84 * 5.33	428	123.19 * 6.99
014	12.42 * 1.78	125	32.99 * 2.62	207	13.87 * 3.53	267	209.15 * 3.53	351	120.02 * 5.33	429	126.37 * 6.99
015	14 * 1.78	126	34.6 * 2.62	208	15.47 * 3.53	268	215.5 * 3.53	352	123.19 * 5.33	430	129.54 * 6.99
016	15.59 * 1.78	127	36.17 * 2.62	209	17.04 * 3.53	269	212.85 * 3.53	353	126.37 * 5.33	431	132.72 * 6.99
017	17.17 * 1.78	128	37.77 * 2.62	210	18.64 * 3.53	270	228.2 * 3.53	354	129.54 * 5.33	432	135.89 * 6.99
018	18.77 * 1.78	129	39.35 * 2.62	211	20.22 * 3.53	271	234.55 * 3.53	355	132.72 * 5.33	433	139.07 * 6.99
019	20.24 * 1.78	130	40.95 * 2.62	212	21.82 * 3.53	272	240.9 * 3.53	356	135.89 * 5.33	434	142.24 * 6.99
020	21.94 * 1.78	131	42.52 * 2.62	213	23.4 * 3.53	273	247.25 * 3.53	357	139.07 * 5.33	435	145.42 * 6.99
021	23.52 * 1.78	132	44.12 * 2.62	214	25 * 3.53	274	253.6 * 3.53	358	142.24 * 5.33	436	148.59 * 6.99
022	25.12 * 1.78	133	45.7 * 2.62	215	26.57 * 3.53	275	266.3 * 3.53	359	145.42 * 5.33	437	151.77 * 6.99
023	26.7 * 1.78	134	47.3 * 2.62	216	28.17 * 3.53	276	279 * 3.53	360	148.59 * 5.33	438	158.12 * 6.99
024	28.3 * 1.78	135	48.9 * 2.62	217	29.75 * 3.53	277	291.7 * 3.53	361	151.77 * 5.33	439	164.47 * 6.99
025	29.87 * 1.78	136	50.47 * 2.62	218	31.34 * 3.53	278	304.4 * 3.53	362	158.12 * 5.33	440	170.82 * 6.99
026	31.47 * 1.78	137	52.07 * 2.62	219	32.92 * 3.53	279	329.8 * 3.53	363	164.47 * 5.33	441	177.17 * 6.99
027	33.05 * 1.78	138	53.65 * 2.62	220	34.52 * 3.53	280	355.2 * 3.53	364	170.82 * 5.33	442	183.52 * 6.99
028	34.65 * 1.78	139	55.25 * 2.62	221	36.1 * 3.53	281	380.6 * 3.53	365	177.17 * 5.33	443	189.87 * 6.99
029	37.82 * 1.78	140	56.82 * 2.62	222	37.7 * 3.53	282	405.26 * 3.53	366	183.52 * 5.33	444	196.22 * 6.99
030	41 * 1.78	141	58.42 * 2.66	223	40.87 * 3.53	283	430.66 * 3.53	367	189.87 * 5.33	445	202.57 * 6.99
031	44.17 * 1.78	142	60 * 2.66	224	44.05 * 3.53	284	456.06 * 3.53	368	196.22 * 5.33	446	215.27 * 6.99
032	47.35 * 1.78	143	61.6 * 2.66	225	47.22 * 3.53	309	10.46 * 5.33	369	202.57 * 5.33	447	227.97 * 6.99
033	50.52 * 1.78	144	63.17 * 2.66	226	50.4 * 3.53	310	12.07 * 5.33	370	208.92 * 5.33	448	240.67 * 6.99
034	53.7 * 1.78	145	64.77 * 2.66	227	53.57 * 3.53	311	13.64 * 5.33	371	215.27 * 5.33	449	253.37 * 6.99
035	56.87 * 1.78	146	66.35 * 2.66	228	56.75 * 3.53	312	15.24 * 5.33	372	221.62 * 5.33	450	266.07 * 6.99
036	60.04 * 1.78	147	67.95 * 2.66	229	59.92 * 3.53	313	16.81 * 5.33	373	227.97 * 5.33	451	278.77 * 6.99
037	63.22 * 1.78	148	69.52 * 2.66	230	63.1 * 3.53	314	18.42 * 5.33	374	234.32 * 5.33	452	291.47 * 6.99
038	66.04 * 1.78	149	71.12 * 2.66	231	66.27 * 3.53	315	19.99 * 5.33	375	240.67 * 5.33	453	304.17 * 6.99

POCAR SEAL



AERIAL VIEW



MECHANICAL SEAL POT

POCAR

PRODUCT



柏卡軸封有限公司 POCAR SEAL LTD

高雄縣大寮鄉大發工業區大有二街2號

TEL:07-7872050

FAX:07-7872080

POCAR SEAL LTD. No. 2, Dayou 2nd St., Dafa Industry Area, Daliao Shiang, Kaohsiung County 831, Taiwan
TEL: 886-7-7872050 FAX: 886-7-7870820 Website: www.pocar-seal.com MAIL: sales@pocar-seal.com